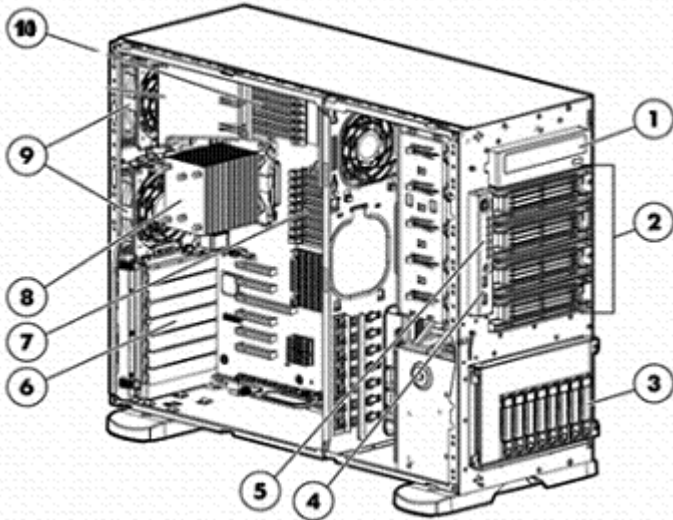
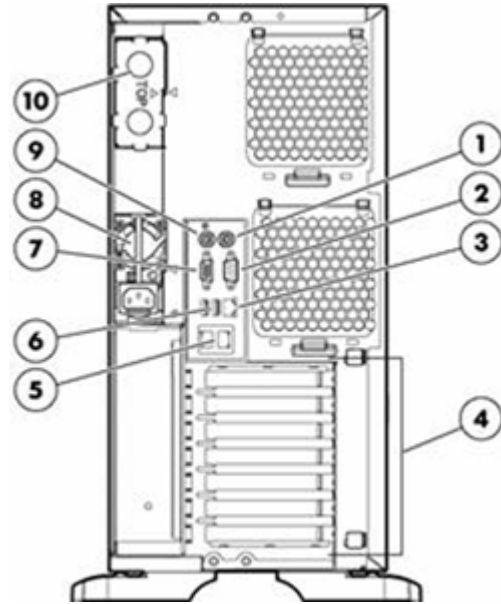


Overview



Front View:

1. SATA DVD ROM or DVD RW Optical drive
2. Four removable media bays
3. Eight SFF (2.5") (shown) or six LFF (3.5") SAS or SATA Hot Plug drive bays
4. USB connectors
5. LEDs: System power, Health, Power cap, NIC 1&2, UID
6. 6 Expansion slots
7. Nine DIMM slots (Processor 2): DDR3 Registered (RDIMM) or Unbuffered (UDIMM) memory
8. Processor heatsink
9. System Fan
10. Nine DIMM slots (Processor 1): DDR3 Registered (RDIMM) or Unbuffered (UDIMM) memory



Rear View:

1. Mouse port
2. Serial port
3. Dedicated remote management port
4. Expansion slots
5. Two Network ports
6. Two USB ports
7. Video ports
8. Power supply bay 1
9. Keyboard port
10. Power supply bay 2

What's New

- New BTO configuration which includes HP Insight Control suite software which enables you to enjoy all the benefits that the ML350G6 performance and ICE bring to the table, in a single easy-to-use package.

At A Glance

Adaptable, reliable mainstay for your business.

The HP ProLiant ML350 G6 is the best price performance DP Tower server that delivers excellence with performance, expandability and availability. It's a new generation server with more memory capacity and more HDD expandability. It combines the latest Intel Xeon 5500 processors with QPI technology, best-in-class availability features, and unsurpassed flexibility in a system ideal for growing businesses and especially well suited to meet the needs of remote branch offices.

- **Processors:**
 - Two Quad-Core/Dual-Core Intel® Xeon® 5500 processors

Overview

- Up to 6.4GT/s QPI system speed
- Intel® 5520 chipset
- **Memory:**
 - 18 DIMM Slots
 - Up to 192GB, using PC3-8500R DDR3 Registered (RDIMM) memory, operating at 800MHz when fully populated at 2 DIMMs per Channel in 12 slots
 - Up to 24GB, using PC3-10600E DDR3 Unbuffered (UDIMM) memory, operating at 1066MHz when fully populated at 2 DIMMs per Channel in 12 slots
 - Two DIMMs Per Channel at 1333MHz supported with ROM update via ROM Based Setup Utility (RBSU) for 1333MHz RDIMMs. UDIMM support is only on 12-slot.
NOTE: If only one processor is installed only half the DIMM slots are available.
- **Storage Controllers:**
 - Entry Models: Embedded HP Smart Array P410i/Zero Memory Controller (RAID 0/1/1+0)
 - Base Models: Embedded HP Smart Array P410i/256MB Controller (RAID 0/1/1+0/5/5+0)
 - Performance Models: Embedded HP Smart Array P410i/512 MB BBWC Controller (RAID 0/1/1+0/5/5+0)
 - Available upgrades: 256MB, 512MB with BBWC, 512 MB with FBWC, 1G with FBWC, Battery kit upgrade (for BBWC), and Smart Array Advanced Pack (SAAP)
- **Internal Drive Support:**
 - Up to sixteen SFF (2.5") or eight LFF (3.5") Hot Plug Serial Attached SCSI (SAS) or Serial-ATA (SATA) hard drives or SATA SSD's
 - Maximum of 8TB of internal storage capacity
- **Network Controller:**
 - Embedded NC326i PCI Express Dual Port Gigabit Server Adapter
- **Expansion Slots:**
 - Six total expansion slots
 - One PCI-Express x16 Gen2 (x8 speed); One PCI-Express x8 Gen2 (x8 speed); Four PCI-Express x8 Gen2 (x4 speed)
 - Optional PCI-X Expander provides additional two 64-bit/100-MHz PCI-X slots by using a single PCI Express slot
- **Ports:**
 - USB 2.0 support
 - Six total ports: (2) front; (2) rear; (2) internal (1 dedicated for tape)
 - SD slot: (1) internal
- **Redundancy:**
 - Optional Hot plug redundant power supplies
 - Optional redundant fan
- **Power Sources:**
 - Dual Common Slot Bay for Right Sized, Hot plug and Redundant Power options
 - HP 1200W CS HE Silver Power Supply (optional)
 - HP 750W CS HE Gold Power Supply (standard on some models)
 - HP 460W CS HE Gold Power Supply (standard on some models)
- **Infrastructure Management:**
 - Convenient slide-out Systems Insight Display for quick and easy front view server diagnostics, along with status LEDs, Automatic Server Recovery (ASR), ROM Based Setup Utility (RBSU)
 - HP ProLiant Onboard Administrator (powered by the HP Integrated Lights-Out 2 management processor) for simplified server setup, health monitoring and recovery, power and thermal control, and lights-out remote administration.
 - HP Insight Control, a product option, delivers essential infrastructure management that can help save time and money by making it easy to deploy, migrate, monitor, control and optimize your IT infrastructure through a single, simple management console. Insight Control supports both Windows and Linux-based central management servers.
 - HP Insight Dynamics for ProLiant, a product option, is an integrated command center that enables IT Staff personnel to continuously analyze and optimize a converged infrastructure, while automating and reducing the cost of common data center tasks by as much as 40 percent. This ultimately enables them to dynamically keep pace with the organization's changing business requirements.
- **Deployment/Serviceability:**

Overview

- Tool-free chassis entry and component access
- Tool-free motherboard removal
- Universal rail solution supporting both square and round hole rack environments
- Customer Self Repair (CSR): HP products are designed with many CSR parts to minimize repair time and allow for greater flexibility in performing defective parts replacement
- **Operating Systems and Virtualization Software Support for ProLiant Servers:**
 - Supports Windows, RHEL, SLES, NetWare, Oracle Enterprise Linux, VMware, and Citrix
- **Security - Trusted Platform Module:**
 - One (1) internal TPM 1.2 module connector
- **Warranty:**
 - This product is covered by a global limited warranty and supported by HP Services and a worldwide network of HP Authorized Channel Partners resellers. Hardware diagnostic support and repair is available for three years from date of purchase. Support for software and initial setup is available for 90 days from date of purchase. Enhancements to warranty services are available through HP Care Pack services or customized service agreements. Hard drives have either a one year or three year warranty; refer to the specific hard drive QuickSpecs for details.
NOTE: Server Warranty includes 3-Year Parts, 3-Year Labor, 3-Year Onsite support with next business day response. Warranty repairs may be accomplished through the use of Customer Self Repair (CSR) parts. These parts fall into two categories: 1) Mandatory CSR parts are designed for easy replacement. A travel and labor charge will result when customers decline to replace a Mandatory CSR part; 2) Optional CSR parts are also designed for easy replacement but may involve added complexity. Customers may choose to have HP replace Optional CSR parts at no charge. Additional information regarding worldwide limited warranty and technical support is available at: <http://h18004.www1.hp.com/products/servers/platforms/warranty/index.html>

Standard Features

NOTE: For the Standard Features shipped in the "Factory Integrated Models", please see the "Configuration Information - Factory Integrated Models" section.

Processor

One of the following depending on Model

Quad-Core Processors

Quad-Core Intel® Xeon® Processor X5570 (2.93 GHz, 8MB cache, QPI 6.4GT/s)

Quad-Core Intel® Xeon® Processor X5560 (2.80 GHz, 8MB cache, QPI 6.4GT/s)

Quad-Core Intel® Xeon® Processor X5550 (2.66 GHz, 8MB cache, QPI 6.4GT/s)

Quad-Core Intel® Xeon® Processor E5540 (2.53 GHz, 8MB cache, QPI 5.86GT/s)

Quad-Core Intel® Xeon® Processor E5530 (2.40 GHz, 8MB cache, QPI 5.86GT/s)

Quad-Core Intel® Xeon® Processor E5520 (2.26 GHz, 8MB cache, QPI 5.86GT/s)

Quad-Core Intel® Xeon® Processor L5520 (2.26 GHz, 8MB cache, QPI 5.86GT/s)

Quad-Core Intel® Xeon® Processor E5506 (2.13 GHz, 4MB cache, QPI 4.8GT/s)

Quad-Core Intel® Xeon® Processor L5506 (2.13 GHz, 4MB cache, QPI 4.8GT/s)

Quad-Core Intel® Xeon® Processor E5504 (2.00 GHz, 4MB cache, QPI 4.8GT/s)

Dual-Core Processors

Dual-Core Intel® Xeon® Processor E5502 (1.86 GHz, 4MB cache, QPI 4.8GT/s)

NOTE: HT indicates that the processor model supports Intel® Hyper-Threading Technology.

NOTE: Turbo indicates the maximum potential frequency increment when using Intel® Turbo Boost Technology, with 4, 3, 2, and 1 cores active.

NOTE: DDR3 speed is the maximum memory speed of the processor. Actual memory speed may depend on the quantity and type of DIMMs installed.

NOTE: For the Intel 5500 Series, the letter preceding the model number indicates the performance/wattage of the processor. "X" denotes High Performance/Wattage; "E" denotes Enterprise Performance/Wattage (Mainstream); and "L" denotes Lower Wattage.

Cache Memory

One of the following depending on Model

8MB (1 x 8MB) Level 3 cache

NOTE: For processors X5570/X5560/X5550/E5540/E5530/E5520/L5520.

4MB (1 x 4MB) Level 3 cache

NOTE: For processors E5506/E5504/E5502/L5506.

Upgradeability

Upgradeable to 2 processors (4 or 8 cores)

Chipset

Intel® 5520 Chipset

NOTE: For more information regarding Intel® chipsets, please see the following URL:
<http://www.intel.com/products/server/chipsets/>.

Memory Protection

Advanced ECC

Mirroring mode

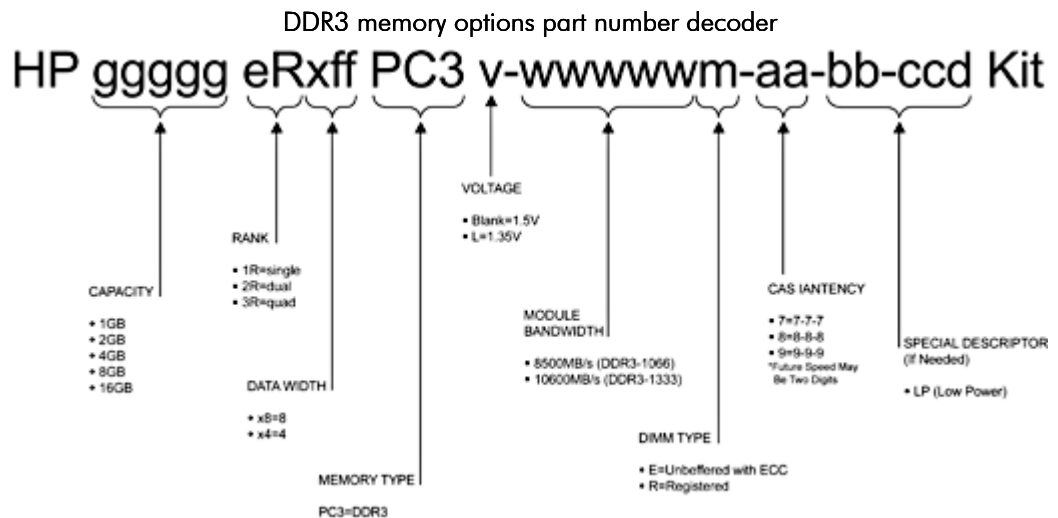
Lock-step mode

Standard Features

Memory	Type	DDR3 Registered (RDIMM) or Unbuffered (UDIMM)
One of the following depending on model	Standard (Performance Models)	12 GB (6 x 2 GB) RDIMM
	Standard (Base Models)	6 GB (3 x 2 GB) RDIMM
	Standard (Entry Models)	4 GB (2 x 2 GB) RDIMM
	Maximum (RDIMM)	192 GB (12 x 16 GB)
	Maximum (UDIMM)	24 GB (12 x 2 GB) for Unbuffered Memory configurations

NOTE: Depending on the memory configuration and processor model, the memory speed may run at 1333MHz, 1066MHz, or 800MHz. Please see the Online Memory Configuration Tool at: www.hp.com/go/ddr3memory-configurator.

NOTE: The 16 GB memory module is a quad ranked 800MHz DDR3 memory.



Network Controller Embedded NC326i PCI Express Dual Port Gigabit Server Adapter

Expansion Slots

Expansion Slot #	Technology	Bus Width	Connector Width	Bus Number	Form Factor	Notes
6	PCI Express Gen2	x4	x8	5	Standard Height/Length	
5	PCI Express Gen2	x4	x8	8	Standard Height/Length	
4	PCI Express Gen2	x8	x16	11	Standard Height/Length	
3	PCI Express Gen2	x8	x8	14	Standard Height/Length	
2	PCI Express Gen2	x4	x8	17	Standard Height/Length	
1	PCI Express Gen2	x4	x8	20	Standard Height/Length	

Standard Features

NOTE: Bus number - Default bus assignment (in decimal). Inserting cards with PCI bridges may alter the actual bus assignment number

NOTE: Indicates the number of physical electrical lanes running to the connector.

Storage Controller One of the following depending on model	Entry Models	HP Smart Array P410i/Zero Memory Controller (RAID 0/1/1+0)
	Base Models	HP Smart Array P410i/256MB Controller (RAID 0/1/1+0/5/5+0)
	Performance Models	HP Smart Array P410i/512 MB BBWC Controller (RAID 0/1/1+0/5/5+0)
	Available upgrades: 256MB, 512MB with BBWC, Battery kit upgrade (for BBWC), and Smart Array Advanced Pack (SAAP)	

Storage	Diskette Drive	None included standard (not supported)
	Optical Drives	HP Half-Height SATA DVD-ROM Optical Drive
	Hard Drives	None standard

Maximum Internal Storage One of the following depending on model	Hot Plug LFF SATA	8TB	8 x 1TB
	Hot Plug LFF SAS	8TB	8 x 1TB
	Hot Plug SFF SATA	8TB	16 x 500GB
	Hot Plug SFF SAS	8TB	16 x 500GB

Interfaces	Serial	1
	Pointing Device (Mouse)	1
	Graphics	1
	Keyboard	1
	Network RJ-45	3 (1 dedicated for ProLiant Onboard Administrator)
	USB 2.0 Ports	6 (2 front, 2 rear, 2 internal)

NOTE: Please see the following URL for additional information regarding USB support:
<http://h18004.www1.hp.com/products/servers/platforms/usb-support.html>

Graphics	Integrated ATI RN50, 64MB video standard
-----------------	--

- 16 bit color: maximum resolution of 1600 x 1200
- 32 bit color: maximum resolution of 1280 x 1024

NOTE: Maximum resolution available via ProLiant Onboard Administrator remote console is 1280 x 1024.

Standard Features

Form Factor

Tower or Rack (5U)

NOTE: Rack models (with a Tower to Rack conversion kit) support:

- Square or round hole racks 24"- 36" deep, including HP Rack System /E and HP Systems
- Telco racks with 3rd part option kit from Rack Solutions
<http://www.racksolutions.com/hp>

HP Insight Management Control Software

HP Insight Foundation

Managing the growing number of servers can be complex and expensive for your organization. IT managers need to address changing business needs with tools that meet the challenges of managing today's complex Datacenters.

HP provides management solutions that are designed to simplify a server's installation, configuration and maintenance throughout the entire server lifecycle. This provides the customer with higher levels of operational efficiency and highly reliable systems: <http://www.hp.com/go/foundation>

The foundation pack includes:

- HP SmartStart
- HP Management
- HP ProLiant Firmware Maintenance

ProLiant Onboard Administrator

HP ProLiant Onboard Administrator (powered by the HP Integrated Lights-Out 2 management processor) simplifies server setup, health monitoring, power and thermal control, and lights-out remote administration of ProLiant ML, DL, and BL servers. HP ProLiant Onboard Administrator functions without additional software, and can be accessed from any location via a web browser. It works hand-in-hand with HP Systems Insight Manager, Insight Control suites, and the Insight Dynamics-VSE suite helping customers unlock the value of the ProLiant platform and deliver the highest possible quality of IT service to the business. See www.hp.com/go/ProLiantOA

HP Insight Control suites

HP Insight Control suites, as product options, deliver essential infrastructure management that can help save time and money by making it easy to deploy, monitor, remote control, and optimize your IT infrastructure through a single, simple management console. ICE suites install and license software modules that are integrated into HP System Insight Manager.

Two Insight Control suites are available, to serve environments requiring either Linux-based or Windows-based management consoles: HP Insight Control suite for Linux (ICE-LX), and HP Insight Control suite (ICE). See www.hp.com/go/insightcontrol

HP Insight Control suites include one year of 24 x 7 HP Software Technical Support and Update Service ensuring rapid access to HP support staff and proactive delivery of software updates. For more information about this service, please visit: <http://www.hp.com/services/insight>.

HP Insight Dynamics – VSE suite

The HP Insight Dynamics - VSE suite for ProLiant, a product option, is an integrated command center that enables you to continuously analyze and optimize your adaptive infrastructure. This advanced infrastructure management software that allows you to analyze and optimize your adaptive infrastructure to manage physical and virtual resources in the same way. HP Insight Dynamics - VSE gives you a powerful toolkit to accelerate complex

Standard Features

technology projects and simplify daily operations. It enables you to plan capacity and power continuously, balance across physical and virtual resources, ensure cost-effective high availability, and provision infrastructure consistently.

HP Insight Orchestration, an optional extension to Insight Dynamics - VSE, enables IT organizations to provision infrastructure consistently and automatically from pools of shared resources using a self-service portal. Resources provisioned can range from a single virtual machine to complex multi-tier environments and their associated physical and virtual resource requirements.

HP Insight Recovery, also an optional extension for Insight Dynamics - VSE, enables cost-effective disaster recovery for physical and virtual environments. Application environments can be reactivated in minutes with the touch of a button to a remote location.

NOTE: For more information, visit: <http://www.hp.com/go/insightdynamics>, <http://www.hp.com/go/insightorchestration>, <http://www.hp.com/go/insightrecovery>

Industry Standard Compliance

ACPI V2.0 Compliant
PCI-Express Gen2
PXE Support
WOL Support
PCI-X 1.0a Compliant
Novell Certified
Microsoft® Logo certifications
USB 2.0 Support
SMBIOS 2.6.1

Manageability

HP Systems Insight Manager
SmartStart
Redundant ROM
System Firmware Update
ROMPaq
ProLiant RBSU (ROM-Based Setup Utility)
Automatic Server Recovery-2 (ASR-2)
Dynamic Sector Repairing (with Smart Array Controller)
Drive Parameter Tracking (with Smart Array Controller)
Pre-Failure Warranty (covers processors, memory, and SAS hard drives)

Security

Power-on password
Setup password
Serial interface control
Disk configuration lock
Power switch security

Standard Features

Security - Trusted Platform Module

The TPM (Trusted Platform Module) is a microcontroller chip that can securely store artifacts used to authenticate the server platform. These artifacts can include passwords, certificates and encryption keys. Windows® BitLocker™ Drive Encryption (BitLocker) is a data protection feature available in Windows Server® 2008. BitLocker leverages the enhanced security capabilities of a Trusted Platform Module (TPM) version 1.2. The TPM works with BitLocker to help protect user data and to ensure that a server running Windows Server 2008 has not been tampered with while the system was offline. For more information about TPM, including a white paper, go to www.hp.com/go/TPM

NOTE: ProLiant OS pre-installed units will come with the partition required for TPM deployment.

NOTE: The TPM key is unique to every TPM deployed server and must be retained. Misplacing or losing the key could result in data loss.

Server Power Cords

ProLiant ML servers in a rack-mount configuration no longer ship standard with NEMA power cords that allow connection to 110V US wall outlets in a home or office. These servers are primarily connected to PDU's in data center racks so they now ship standard with only a PDU power cord (416151-B21). If a user wishes to power a ProLiant ML rack-mount server using a 110V receptacle (NEMA-15), the NEMA power cord must be ordered separately. The 12' cord (AF556A) or 6' cord (187335-001) can be purchased online at HP.COM. In a tower configuration, the servers ship standard with a 6' country specific NEMA power cord. If customers require a local power cord, they can check the power cord matrix for the appropriate country specific sku. Please see the following power cord matrix: <http://www.hp.com/go/powercordmatrix>.

UPS and PDU Power Cord Matrix

Please see the UPS and PDU cable matrix's on the HP Power Protection and Management page. Under Power Cords, click on the "HP Power Cord Matrix" link. That link will list cable descriptions, requirements, and specifications for UPS and PDU units. Please see the following link: www.hp.com/products/powercords.

Power Supply

One of the following depending on Model

HP has a new design for ProLiant power- the new Common Slot Power Supply bay. This design provides the customer with commonality in power supplies across multiple platforms to save on the cost of spares and allows HP to offer multiple power solutions to fit the customers' needs. Many HP ProLiant Servers come with Common Slot, High Efficiency and Right-Size Power Supplies. The new HP Common Slot power supplies are designed for the highest power efficiency without degrading performance of the ProLiant server. Power Supplies have efficiency ratings up to 92%. There are three Right Size power options available depending on the configuration of your server. To make sure you select the correct power supply to meet your configuration, please use the HP Power Advisor at www.hp.com/go/proliant-energy-efficient or www.hp.com/go/hppoweradvisor. All HP Common Slot power sources are UL, CE Mark Compliant, Hot Plug and Redundant.

Standard Features

Common Power Slots

It is highly recommended that you use the HP Power Advisor in defining the "Right-Size" power supply for your needs. HP offers three Power Supply Options:

- 460Watts, Common Slot, 92% Efficiency
- 750Watts, Common Slot, 92% Efficiency
- 1200Watts, Common Slot, 90% Efficiency

The HP ProLiant Common Slot Power supplies meet multiple Energy Efficiency Initiatives: Climate Savers Computing Initiative GOLD and ECOS Consulting 80PLUS GOLD for the 460w and 750w Power Supplies and Climate Savers Computing Initiative Silver, ECOS Consulting 80PLUS Silver for 1200w Power Supply. HP has also been working with the EPA on developing an ENERGY STAR[®] Computer Server specification and plans on offering models that meet the requirements when they are published. Please visit the ENERGY STAR website at www.energystar.gov for updates on the specification development process and approved platforms.

The HP Power Advisor is located at www.hp.com/go/proliant-energy-efficient or www.hp.com/go/hppoweradvisor

System Fans

2 fans ship standard, 1 included in Processor kit and Optional Redundant Fan Kit (1)

NOTE: Does not include power supply or processor heat sink fans. Processor heat sink fans packed in processor kit.

Required Cabling

For required cabling information, refer to the HP ProLiant ML350 G6 cabling matrix at:

<http://www.hp.com/servers/proliantML350>.

NOTE: Please see the "Storage" section of this QuickSpecs for important information on controllers and cables required to support SAS or SATA hard drives as well as storage management software available for SATA hard drives.

Operating Systems and Virtualization Software Support for ProLiant Servers

[Microsoft Windows Server](#)
[Microsoft Windows Server Hyper-V](#)
[Red Hat Enterprise Linux \(RHEL\)](#)
[SUSE Linux Enterprise Server \(SLES\)](#)
[NetWare](#)
[VMware](#)
[HP Citrix Essentials for XenServer](#)
[Oracle Enterprise Linux \(OEL\)](#)

NOTE: For more information on HP's Certified and Supported ProLiant Servers for OS and Virtualization Software and latest listing of software drivers available for your server, please visit our Support Matrix at: <http://www.hp.com/go/ossupport> and our driver download page www.hp.com/support/ML350G6.

Standard Features

Rack Airflow Requirements

Rack 10000 G2 series Cabinets

The increasing power of new high-performance processor technology requires increased cooling efficiency for rack-mounted servers. The 10000 G2 Series Racks provide enhanced airflow for maximum cooling, allowing these racks to be fully loaded with servers using the latest processors.

CAUTION: If a third-party rack is used, observe the following additional requirements to ensure adequate airflow and to prevent damage to the equipment:

Front and rear doors: If your 42U server rack includes closing front and rear doors, you must allow 830 square inches (5,350 sq cm) of hole evenly distributed from top to bottom to permit adequate airflow (equivalent to the required 64 percent open area for ventilation).

Side: The clearance between the installed rack component and the side panels of the rack must be a minimum of 2.75 inches (7 cm).

CAUTION: Always use blanking panels to fill all remaining empty front panel U-spaces in the rack. This arrangement ensures proper airflow. Using a rack without blanking panels results in improper cooling that can lead to thermal damage.

Rack Kit

Quick deploy rail system provides tool-free support for racks with square or round mounting holes (including Compaq/HP 7000, 9000, 10000 G2 and HP series), with an adjustment range of 24" - 36". The ambidextrous cable management arm can be mounted on either the left or right side for improved cable management.

Telco Rack Support

Support for all 2-post Telco racks requires the use of the standard rack kit and an additional option kit from Rack Solutions at: <http://www.racksolutions.com/hp/>

Factory Express Portfolio for Servers and Storage

HP Factory Express offers configuration, customization, integration and deployment services for HP servers and storage products. Customers can choose how their factory solutions are built, tested, integrated, shipped and deployed.

Factory Express offers service packages for simple configuration, racking, installation, complex configuration and design services as well as individual factory services, such as image loading, asset tagging, and custom packaging. HP products supported through Factory Express include a wide array of servers and storage: HP Integrity, HP ProLiant, HP ProLiant Server Blades, HP BladeSystem, HP 9000 servers as well as the MSAxxx, VA7xxx, EVA, XP, rackable tape libraries and configurable network switches.

For more information on Factory Express services for your specific server model please contact your sales representative or go to: <http://www.hp.com/go/factory-express>.

HP Enterprise Configurator

The HP eConfigure Enterprise Configurator now provides factory default racking for our HP hardware portfolio. This approach is aligned with our strategic direction to meet the needs and expectations of our valued customers. If you require "custom" rack configuration, please contact HP's Customer Business Center or an Authorized Partner for assistance. For additional information please visit: <http://www.hp.com/products/configurator>

Standard Features

Service and Support

HP Care Pack services provide total care and support expertise with committed response designed to meet your IT and business needs.

HP Care Pack services include coverage for the HP branded hardware options qualified for the server and purchased at the same time or afterward that are internal to the enclosure. This also includes the 22" and smaller external monitors and tower UPS options up to 3kVA. These items will be covered at the same service level and for the same coverage period as the server. Coverage of UPS Battery is not included, and standard warranty terms & conditions apply. For servers or storage systems installed within a rack, service also covers all HP qualified rack options installed within the same rack.

To fully capitalize on your HP ProLiant servers' capabilities requires a service partner who thoroughly understands your server technology and systems environment. HP Services, an industry leader in provision of multi vender support solutions, provides a range of support services designed to meet the varying needs of your business. Whether an SMB, or large global corporation, HP has a ProLiant server support offer to help you speedily deploy and maximize system uptime.

Recommended Service - simplify ProLiant solution implementation, maintenance, and management.

- **Support** - 3-Year 4-Hour response 24x7 Same Business Day Coverage only
- **Service** - Installation and Start up only

Enhanced Service - optimize service level to increase IT performance and availability.

- **Support** - 3-Year Support Plus 24 only

Refer to the information on "Installation & Start-Up" for service on ProLiant server and Microsoft or Linux O/S per the Customer Description and/or Data Sheet; to be delivered on a scheduled basis 8am-5pm, M-F, excluding HP holidays.

NOTE: For a complete listing of service offerings and information visit:

<http://www.hp.com/services/proliantservices>

<http://www.hp.com/go/proliant/carepack>

HPC Interconnects

NOTE: High Performance Computing (HPC) interconnect technologies are available for this server under the Cluster Platform product portfolio. These high-speed interconnects are fully supported by HP when they are part of these configure to order clusters. Solutions can be defined with a lot of flexibility with the help of configuration tools. Please visit the following URL to configure HPC Clusters with InfiniBand, Gigabit Ethernet or Myrinet Interconnects: <http://www.hp.com/techservers/clusters/ucp/index.html>

HPC Interconnects	InfiniBand	PCI-X and PCI-Express adapters
	Gigabit Ethernet	Use embedded ports
	Myrinet XP	PCI-X Rev D and Rev E adapters

Models

Entry Tower Models: Quad-Core

HP Smart Array P410i is a device embedded in system board.

HP ProLiant ML350 G6 E5504 2.0GHz Quad Core LFF Entry Tower Server 487932-xx1	Processor	(1) Intel® Xeon® Processor E5504 (2.00 GHz, 4MB L3 Cache, 80W, DDR3-800)
	Cache Memory	4MB (1 x 4MB) Level 3 cache
	Memory	4GB (2 x 2GB) PC3-10600R (DDR3-1333) Registered DIMMs
	Network Controller	Embedded NC326i PCI Express Dual Port Gigabit Server Adapter
	Storage Controller	HP Smart Array P410i/Zero Memory Controller
	Hard Drive	None ship standard
	Internal Storage	6.0 TB LFF (3.5-inch) SAS 6.0 TB LFF (3.5-inch) SATA
	Optical Drive	HP Half-Height SATA DVD-ROM Optical Drive
	PCI-Express Slots	Six expansion slots (six PCI-Express Gen2)
	Power Supply	(1) 460 Watt Hot-Plug (Redundancy enabled) power supply
	Fans	2 fans ship standard
	Form Factor	Tower (5U)

Base Tower Models: Quad-Core

HP Smart Array P410i is a device embedded in system board.

HP ProLiant ML350 G6 E5520 2.26GHz Quad Core SFF Base Tower Server 487930-xx1	Processor	(1) Intel® Xeon® Processor E5520 (2.26 GHz, 8MB L3 Cache, 80W, DDR3-1066, HT, Turbo 1/1/2/2)
	Cache Memory	8MB (1 x 8MB) L3 cache
	Memory	6GB (3 x 2GB) PC3-10600R (DDR3-1333) Registered DIMMs
	Network Controller	Embedded NC326i PCI Express Dual Port Gigabit Server Adapter
	Storage Controller	HP Smart Array P410i/256MB Controller
	Hard Drive	None ship standard
	Internal Storage	2.4 TB SFF(2.5-inch) SAS 2.0 TB SFF(2.5-inch) SATA
	Optical Drive	HP Half-Height SATA DVD-ROM Optical Drive
	PCI-Express Slots	Six expansion slots (six PCI-Express Gen2)
	Power Supply	(1) 750 Watt Hot-Plug (Redundancy enabled) power supply
	Fans	2 fans ship standard
	Form Factor	Tower or Rack (5U)

Models

Performance Models

HP Smart Array P410i is a device embedded in system board

<p>HP ProLiant ML350 G6 E5530 2.40GHz Quad Core SFF High Performance Tower Server 487928-xx1</p>	<p>Processor(s)</p> <p>Cache Memory</p> <p>Memory</p> <p>Network Controller</p>	<p>(2) Intel® Xeon® Processor E5530 (2.40 GHz, 8MB L3 Cache, 80W, DDR3-1066, HT, Turbo 1/1/2/2)</p> <p>8MB (1 x 8MB) L3 cache</p> <p>12GB (6 x 2GB) PC3-10600R (DDR3-1333) Registered DIMMs</p> <p>Embedded NC326i PCI Express Dual Port Gigabit Server Adapter</p>
<p>HP ProLiant ML350 G6 E5530 2.40GHz Quad Core SFF Performance ICE Rack Server 576778-xx1</p>	<p>Storage Controller</p> <p>Hard Drive</p> <p>Internal Storage</p> <p>Optical Drive</p> <p>PCI-Express Slots</p> <p>Power Supply</p> <p>Fans</p> <p>Form Factor</p>	<p>HP Smart Array P410i/512MB with BBWC</p> <p>None ship standard</p> <p>2.4 TB SFF(2.5-inch) SAS 2.0 TB SFF(2.5-inch) SATA</p> <p>HP Half-Height SATA DVD-ROM Optical Drive</p> <p>Six expansion slots (six PCI-Express Gen2)</p> <p>(2) 750 Watt Hot-Plug Redundant power supplies</p> <p>4 fans ship standard</p> <p>Tower (5U)</p>

Country Code Key

XX=00
XX=01
XX=03
XX=04
XX=05
XX=20
XX=29
XX=37
XX=42
XX=AA

Tower Code Key

U.S.
Australia
UK
Germany
France
Brazil
Japan
A/P
Europe
PRC

Rack Code Key

U.S.
N/A
N/A
N/A
N/A
N/A
Japan
A/P
Europe
PRC

Configuration Information - Factory Integrated Models

NOTE: This section lists some of the steps required to configure a Factory Integrated Model. To ensure only valid configurations are ordered, HP recommends the use of an HP approved configurator. Contact your local sales representative for information on CTO product offerings and requirements.

NOTE: HP does not allow factory integration of options into standard models listed above. Configure-to-order servers must start with a CTO Chassis.

NOTE: FIO indicates that this option only available as a Factory Installable Option.

Step 1: Base Configuration (choose one of the following configurable models)

HP Models	ML350G6 Tower Models	
	HP ML350T06 SAS SFF CTO Chassis	483447-B21
	Includes:	
	Embedded NC326i PCI Express Dual Port Gigabit Server Adapter	
	Integrated Smart Array P410i Controller	
	Eight Hot-Plug (SFF) SAS/SATA Drive Bays	
	Six Expansion slots: One Express x16 Gen2 (x8 speed); One PCI-Express x8 Gen2(x8 speed); Four PCI-Express x8 Gen2 (x4 speed)	
	Six USB ports	
	Tower Form Factor	
	Keyboard	
	2-button Mouse	
	HP ML350T06 SAS LFF CTO Chassis	483448-B21
	Includes:	
	Embedded NC326i PCI Express Dual Port Gigabit Server Adapter	
	Integrated Smart Array P410i Controller	
	Six Hot-Plug (LFF) SAS/SATA Drive Bays	
	Six Expansion slots: One Express x16 Gen2 (x8 speed); One PCI-Express x8 Gen2(x8 speed); Four PCI-Express x8 Gen2 (x4 speed)	
	Six USB ports	
	Tower Form Factor	
	Keyboard	
	2-button Mouse	
	ML350G6 Rack Models	
	HP ML350R06 SAS SFF CTO Chassis	483443-B21
	Includes:	
	Embedded NC326i PCI Express Dual Port Gigabit Server Adapter	
	Integrated Smart Array P410i Controller	
	Eight Hot-Plug (SFF) SAS/SATA Drive Bays	
	Six Expansion slots: One Express x16 Gen2 (x8 speed); One PCI-Express x8 Gen2(x8 speed); Four PCI-Express x8 Gen2 (x4 speed)	
	Six USB ports	
	Rack (5U) Form Factor	
	HP ML350R06 SAS LFF CTO Chassis	483444-B21
	Includes:	
	Embedded NC326i PCI Express Dual Port Gigabit Server Adapter	
	Integrated Smart Array P410i Controller	
	Six Hot-Plug (LFF) SAS/SATA Drive Bays	
	Six Expansion slots: One Express x16 Gen2 (x8 speed); One PCI-Express x8 Gen2(x8 speed); Four PCI-Express x8 Gen2 (x4 speed)	

Configuration Information - Factory Integrated Models

Six USB ports
Rack (5U) Form Factor

Step 2: Choose Required Options (only one of the following from each list unless otherwise noted)

HP Processors

Quad-Core Processors

Intel® Xeon® Processor X5570 (2.93 GHz, 8MB L3 Cache, 95W, DDR3-1333, HT, Turbo 2/2/3/3) ML350G6 FIO Kit	495904-L21
Intel® Xeon® Processor X5560 (2.80 GHz, 8MB L3 Cache, 95W, DDR3-1333, HT, Turbo 2/2/3/3) ML350G6 FIO Kit	495906-L21
Intel® Xeon® Processor X5550 (2.66 GHz, 8MB L3 Cache, 95W, DDR3-1333, HT, Turbo 2/2/3/3) ML350G6 FIO Kit	495908-L21
Intel® Xeon® Processor E5540 (2.53 GHz, 8MB L3 Cache, 80W, DDR3-1066, HT, Turbo 1/1/2/2) ML350G6 FIO Kit	495910-L21
Intel® Xeon® Processor E5530 (2.40 GHz, 8MB L3 Cache, 80W, DDR3-1066, HT, Turbo 1/1/2/2) ML350G6 FIO Kit	495912-L21
Intel® Xeon® Processor E5520 (2.26 GHz, 8MB L3 Cache, 80W, DDR3-1066, HT, Turbo 1/1/2/2) ML350G6 FIO Kit	495914-L21
Intel® Xeon® Processor E5506 (2.13 GHz, 4MB L3 Cache, 80W, DDR3-800) ML350G6 FIO Kit	495916-L21
Intel® Xeon® Processor E5504 (2.00 GHz, 4MB L3 Cache, 80W, DDR3-800) ML350G6 FIO Kit	495918-L21
Intel® Xeon® Processor L5520 (2.26 GHz, 8MB L3 Cache, 60W, DDR3-1066, HT, Turbo 1/1/2/2) ML350G6 FIO Kit	505513-L21
Intel® Xeon® Processor L5506 (2.13 GHz, 4MB L3 Cache, 60W, DDR3-800) ML350G6 FIO Kit	495902-L21

Dual-Core Processors

Intel® Xeon® Processor E5502 (1.86 GHz, 4MB L3 Cache, 80W, DDR3-800) ML350G6 FIO Kit	495920-L21
--	------------

HP Memory

Registered DIMMs (RDIMMs)

HP 2GB 2Rx8 PC3-10600R-9 Kit	500656-B21
HP 4GB 2Rx4 PC3-10600R-9 Kit	500658-B21
HP 4GB 4Rx8 PC3-8500R-7 LP Kit	500660-B21
HP 8GB 2Rx4 PC3-8500R-7 Kit	516423-B21
HP 8GB 2Rx4 PC3-10600R-9 Kit	500662-B21
HP 16GB 4Rx4 PC3-8500R-7 Kit	500666-B21

Unbuffered with ECC DIMMs (UDIMMs)

HP 1GB 1Rx8 PC3-10600E-9 Kit	500668-B21
HP 2GB 2Rx8 PC3-10600E-9 Kit	500670-B21

Configuration Information - Factory Integrated Models

NOTE: All DDR3 memory option kits consist of one DIMM per kit. For detailed memory configuration rules and guidelines, please use the Online DDR3 Memory Configuration Tool: www.hp.com/go/ddr3memory-configurator.

NOTE: Kits described as LP include Low Power DIMMs. For more information on ProLiant Energy Efficient Features, see: <http://h18004.www1.hp.com/products/servers/platforms/energyefficient/>

HP Optical Drive	HP Half-Height SATA DVD-ROM Optical Drive	447326-B21
	HP Half-Height SATA DVD RW Optical Drive	447328-B21
HP Power Supplies	<p>NOTE: Prior to making a power supply selection it is "highly recommended" that the "HP Power Advisor" is run to determine the right size power supply for your server configuration. The HP Power Advisor is located at: "www.hp.com/go/proliant-energy-efficient" or www.hp.com/go/hppoweradvisor.</p> <p>Many HP ProLiant Servers now offer new power options, including Common Slot Power Supplies. These power supplies come in multiple power ratings and higher efficiency levels to offer the Right Size solution to fit your configuration. This provides improved power delivery and the advantage of reclaiming lost power.</p>	
	HP 460W CS HE Power Supply Kit	503296-B21
	HP 750W CS HE Power Supply Kit	512327-B21
	HP 1200W CS HE Power Supply Kit	500172-B21
	NOTE: Option Kits contain optional power supply, an IEC power cable and PDU IEC cables.	

Step 3: Choose Additional Factory Integratable Options

HP Storage Controllers	HP P212/256 MB Smart Array Controller FIO Kit	491191-B21
	NOTE: SAS Controller supporting RAID 0/1/1+0/5.	
	HP P411/256MB BBWC Smart Array Controller FIO Kit	491193-B21
	NOTE: SAS Controller supporting RAID 0/1/1+0/5.	
	Upgrade Options	
	HP 256 MB P-series cache module FIO	534108-B21
	NOTE: Available for P410i only.	
HP Performance Packs	<p>Performance Packs are necessary to configure a HP ProLiant ML350 G6 to a High Performance Model which includes the latest performance technologies and enterprise class availability features pre-installed for convenience and value. The Performance Pack includes a 2nd processor, 512MB cache with BBWC for P410i (650 mAh P-Series Battery), redundant fan, and (1) 750W CS HE Power supply kit.</p> <p>NOTE: Must also select 447326-B21 (SATA DVD ROM) to achieve parity to ML350 G6 High Performance Models.</p>	
	HP ML350G6 E5530 HPM FIO Kit	530547-B21

Step 4: Choose Additional Options for Factory Integration

NOTE: For additional options, please refer to the "Core Options" and "Additional Options" section below.

Core Options

NOTE: Some options may not be available for factory integration. Please contact an HP sales representative for additional information

HP Unique Options	HP ML350 G6 Redundant Fan/Baffle Kit	515081-B21
	HP ML350 G6 2 Slot PCI-X Riser Kit	488413-B21
	NOTE: The HP PCI-X Expander kit converts a single PCI Express slot (Slot 1) into two full height, full length 64-bit 100MHz PCI-X slots. The PCI-X Expander Kit can only be plug in Slot 1.	
	HP ML350G6 Tower to Rack Conversion Kit	534534-B21
	NOTE: See "Redundant Options" section below for Hot Plug Redundant Power supplies.	

HP Processors

Quad-Core Processors

Intel® Xeon® X5570 2.93GHz Quad Core 95 Watts ML350 G6 Processor Option Kit	495904-B21
Intel® Xeon® X5560 2.80GHz Quad Core 95 Watts ML350 G6 Processor Option Kit	495906-B21
Intel® Xeon® X5550 2.66GHz Quad Core 95 Watts ML350 G6 Processor Option Kit	495908-B21
Intel® Xeon® E5540 2.53GHz Quad Core 80 Watts ML350 G6 Processor Option Kit	495910-B21
Intel® Xeon® E5530 2.40GHz Quad Core 80 Watts ML350 G6 Processor Option Kit	495912-B21
Intel® Xeon® E5520 2.26GHz Quad Core 80 Watts ML350 G6 Processor Option Kit	495914-B21
Intel® Xeon® E5506 2.13GHz Quad Core 80 Watts ML350 G6 Processor Option Kit	495916-B21
Intel® Xeon® E5504 2.0GHz Quad Core 80 Watts ML350 G6 Processor Option Kit	495918-B21
Intel® Xeon® L5520 2.26GHz Quad Core 60 Watts ML350 G6 Processor Option Kit	505513-B21
Intel® Xeon® L5506 2.13GHz Quad Core 60 Watts ML350 G6 Processor Option Kit	495902-B21

Dual-Core Processors

Intel® Xeon® E5502 1.86GHz Dual Core 80 Watts ML350 G6 Processor Option Kit	495920-B21
---	------------

Core Options

HP Memory	Registered RDIMMs	
	HP 2GB 1x2GB PC3-10600 Registered CAS 9 Dual Rank x8 DRAM Memory Kit	500656-B21
	HP 4GB 1x4GB PC3-10600 Registered CAS 9 Dual Rank x4 DRAM Memory Kit	500658-B21
	HP 4GB 1x4GB PC3-8500 Registered CAS 7 Quad Rank x8 Low Power DRAM Memory Kit	500660-B21
	HP 8GB 1x8GB PC3-8500 Registered CAS 7 Dual Rank x4 DRAM Memory Kit	516423-B21
	HP 8GB 1x8GB PC3-10600 Registered CAS 9 Dual Rank x4 DRAM Memory Kit	500662-B21
	HP 16GB 1x16GB PC3-8500 Registered CAS 7 Quad Rank x4 DRAM Memory Kit	500666-B21
	Unregistered with ECC UDIMMs	
	HP 1GB 1x1GB PC3-10600 ECC Unbuffered CAS 9 Single Rank x8 DRAM Memory Kit	500668-B21
	HP 2GB 1x2GB PC3-10600 ECC Unbuffered CAS 9 Dual Rank x8 DRAM Memory Kit	500670-B21
	NOTE: All DDR3 memory option kits consist of one DIMM per kit. For detailed memory configuration rules and guidelines, please use the Online DDR3 Memory Configuration Tool: www.hp.com/go/ddr3memory-configurator .	
	NOTE: Kits described as LP include Low Power DIMMs. For more information on ProLiant Energy Efficient Features, see: www.hp.com/go/proliant-energy-efficient .	

HP Diskette Drives	HP 1.44MB USB External Floppy Drive	DC141B
--------------------	-------------------------------------	--------

HP Optical Drives	HP Half-Height SATA DVD-ROM Optical Drive	447326-B21
	HP Half-Height SATA DVD-RW Optical Drive	447328-B21
NOTE: Please note that some of the earlier BTO models may not support adding SATA Optical Drives. To ensure compatibility of the SATA Optical Drives, please add additional optical drives only on models with Quad-Core 5400 Series.		

HP Hard Drives	SAS Hot Plug SFF (2.5-inch) Enterprise (ENT) Drives	
	HP 300GB 6G SAS 10K SFF (2.5-inch) Dual Port Enterprise 3yr Warranty Hard Drive	507127-B21
	HP 300GB 3G SAS 10K SFF (2.5-inch) Dual Port Enterprise 3yr Warranty Hard Drive	492620-B21
	HP 146GB 6G SAS 15K SFF (2.5-inch) Dual Port Enterprise 3yr Warranty Hard Drive	512547-B21
	HP 146GB 6G SAS 10K SFF (2.5-inch) Dual Port Enterprise 3yr Warranty Hard Drive	507125-B21
	HP 146GB 3G SAS 10K SFF (2.5-inch) Dual Port Enterprise 3yr Warranty Hard Drive	418367-B21
	HP 146GB 3G SAS 15K SFF (2.5-inch) Dual Port Enterprise 3yr Warranty Hard Drive	504062-B21
	HP 72GB 6G SAS 15K SFF (2.5-inch) Dual Port Enterprise 3yr Warranty Hard Drive	512545-B21
	HP 72GB 3G SAS 15K SFF (2.5-inch) Dual Port Enterprise 3yr Warranty Hard Drive	418371-B21
	SAS Hot Plug LFF (3.5-inch) Enterprise (ENT) Drives	
	HP 450GB 3G SAS 15K LFF (3.5-inch) Dual Port Enterprise 3yr Warranty Hard Drive	454232-B21
	HP 300GB 3G SAS 15K LFF (3.5-inch) Dual Port Enterprise 3yr Warranty Hard Drive	416127-B21
	HP 146GB 3G SAS 15K LFF (3.5-inch) Dual Port Enterprise 3yr Warranty Hard Drive	384854-B21
	SAS Hot Plug LFF (3.5-inch) Midline (MDL) Drives	
	HP 1TB 3G SAS 7.2K rpm LFF (3.5-inch) Dual Port Midline 1yr Warranty Hard Drive	461137-B21

Core Options

HP 750GB 7.2K rpm Hot Plug SAS Dual Port Midline 1yr Warranty Hard Drive 461135-B21

NOTE: Please see the QuickSpecs for Technical Specifications and additional information:

http://h18000.www1.hp.com/products/quickspecs/12244_div/12244_div.html (Worldwide)

SAS Hot Plug SFF (2.5-inch) Midline (MDL) Drives

HP 500GB 6G SAS 7.2K rpm SFF (2.5-inch) Midline 1yr Warranty Hard Drive 507610-B21

SATA Hot Plug SFF (2.5-inch) Midline (MDL) Drives

HP 500GB 3G SATA 7.2K rpm SFF (2.5-inch) Midline 1yr Warranty Hard Drive 507750-B21

HP 160GB 3G SATA 7.2K rpm SFF (2.5-inch) Midline 1yr Warranty Hard Drive 530888-B21

SATA Hot Plug SFF (2.5-inch) Entry (ETY) Drives

HP 250GB 3G SATA 5.4K rpm SFF (2.5-inch) Entry 1yr Warranty Hard Drive 460355-B21

HP 120GB 1.5G SATA 5.4K rpm SFF (2.5-inch) Entry 1yr Warranty Hard Drive 458924-B21

SATA Hot Plug LFF (3.5-inch) Midline (MDL) Drives

HP 2TB 3G SATA 7.2K rpm LFF (3.5-inch) Midline 1yr Warranty Hard Drive 507632-B21

HP 1TB 3G SATA 7.2K rpm LFF (3.5-inch) Midline 1yr Warranty Hard Drive 454146-B21

HP 750GB 7.2K rpm Hot Plug SATA Midline 1yr Warranty Hard Drive 458930-B21

HP 500GB 3G SATA 7.2K rpm LFF (3.5-inch) Midline 1yr Warranty Hard Drive 458928-B21

HP 250GB 3G SATA 7.2K rpm LFF (3.5-inch) Midline 1yr Warranty Hard Drive 458926-B21

SATA Hot Plug LFF (3.5-inch) Entry (ETY) Drives

HP 250GB 3G SATA 7.2K rpm LFF (3.5-inch) Entry 1yr Warranty Hard Drive 571230-B21

HP 160GB 3G SATA 7.2K rpm LFF (3.5-inch) Entry 1yr Warranty Hard Drive 458945-B21

NOTE: SATA hard drives have a 1-year warranty. Please see the QuickSpecs for Technical Specifications and additional information:

http://h18000.www1.hp.com/products/quickspecs/13021_div/13021_div.html (Worldwide)

SATA Hot Plug 3.5" Midline (MDL) Solid State Drives

HP 120GB 3G SATA LFF (3.5-inch) Midline 1yr Warranty Solid State Drive 570763-B21

HP 60GB 3G SATA LFF (3.5-inch) Midline 1yr Warranty Solid State Drive 570761-B21

SATA Hot Plug Midline (MDL) Solid State Drives

HP 120GB 3G SATA SFF (2.5-inch) Midline 1yr Warranty Solid State Drive 572073-B21

HP 60GB 3G SATA SFF (2.5-inch) Midline 1yr Warranty Solid State Drive 572071-B21

NOTE: Please see the QuickSpecs for Technical Specifications and additional information:

http://h18000.www1.hp.com/products/quickspecs/13415_div/13415_div.html (Worldwide)

NOTE: The components of a storage subsystem (e.g. the drive, the HBA/controller, firmware, and the server backplane) should operate at the same data transfer rate or the system bandwidth will be negotiated down to an acceptable level for all components.

NOTE: Hard drives have either a one year or three year warranty; refer to the specific hard drive QuickSpecs for details.

Core Options

HP Networking

Gigabit Ethernet adapters

HP NC112T PCI Express Gigabit Server Adapter 503746-B21

HP NC360T PCI-E Dual Port Gigabit Server Adapter 412648-B21

HP NC364T PCI-E Quad Port Gigabit Server Adapter 435508-B21

NOTE: Does not support Windows 2000.

NOTE: There is a maximum of five NC364T PCI Express Quad Port Gigabit Server Adapter NICs allowed in this server.

HP NC373F PCI-E Multifunction 1000SX Gigabit Svr Adapter 394793-B21

HP NC373T PCI-E Multifunction Gigabit Server Adapter 394791-B21

HP NC375T PCI Express Quad Port Gigabit Server Adapter 538696-B21

HP NC382T PCI Express Dual Port Multifunction Gigabit Server Adapter 458492-B21

10 Gigabit Ethernet adapters

HP NC522SFP Dual Port 10GbE Server Adapter 468332-B21

NOTE: A minimum of two gigabytes (2 GB) of server memory is required per each NC522SFP adapter.

NOTE: Direct Attach Cable (DAC) for copper environments or fiber transceivers and cables for fiber-optic environments must be purchased separately.

HP NC550SFP Dual Port 10GbE Server Adapter 581201-B21

NOTE: A minimum of two Gigabytes (2 GB) of server memory is required per each NC550SFP adapter.

NOTE: Direct Attach Cable (DAC) for copper environments or fiber transceivers and cables for fiber-optic environments must be purchased separately.

NOTE: Please see the QuickSpecs for Technical Specifications and additional information: www.hp.com/go/ProLiantNICs

HP Riser Card Options

HP ML350 G6 2 Slot PCI-X Riser Kit 488413-B21

HP Power Supplies

CAUTION: Many HP ProLiant Servers now offer new power options, including Common Slot Power Supplies. These power supplies come in multiple power ratings and higher efficiency levels to offer the Right Size solution to fit your configuration. This provides improved power delivery and the advantage of reclaiming lost power. Prior to making a power supply selection it is "highly recommended" that the "HP Power Advisor" is run to determine the right size power supply for your server configuration. The HP Power Advisor is located at "www.hp.com/go/proliant-energy-efficient" In ProLiant Servers that have more than one power slot (bay), only same size power supplies are recommended. If non-matched power supplies are inserted you will get errors and operation will fail.

HP 460W HE 12V Hot Plug AC Power Supply Kit 503296-B21

HP 750W Common Slot High Efficiency Power Supply Kit 512327-B21

HP 1200W 12V Hot Plug AC Power Supply 500172-B21

NOTE: Option Kits contain optional power supply, an IEC power cable and PDU IEC cables.

Additional Options

HP Insight Software	HP Insight Control for Linux	
	HP Insight Control for Linux Media Kit	464422-B22
	NOTE: This optional Media pack DVD contains the ISO image for HP Insight Control Environment for Linux, HP System Insight Manager, HP Insight Power Manager, HP Insight Virtual Machine Management software, and an integrated installer. Servers must be acquired separately.	
	NOTE: This Media pack is optional because the latest ISO image and latest updates may be downloaded at no cost from: http://www.hp.com/go/ice-linux (click on Download button).	
	NOTE: For additional License kits and Electronic licensing options, please see the QuickSpecs at: http://h18000.www1.hp.com/products/quickspecs/13019_div/13019_div.html	
	HP Insight Control server deployment	
	HP Insight Software Media Kit	436222-B21
	NOTE: Insight Software DVD media without licenses. Contains Insight Manager and Essentials software products and components licensed by Insight Control Environment suite. Uses an integrated installer to perform quick and accurate software installation and updates.	
	HP Insight Control including 1yr 24x7 Technical Support and Updates Single Server License	452148-B22
	NOTE: For additional License Kits, please see the QuickSpecs at: http://h18000.www1.hp.com/products/quickspecs/12631_div/12631_div.html	
	HP Insight Control suite (ICE)	
	HP iLO Advanced including 1yr 24x7 Technical Support and Updates Single Server License	512485-B21
<hr/>		
HP Drive Cage Options	HP ML350/370 G6 8 Small Form Factor (SFF) 2nd Drive Cage Kit	507803-B21
	NOTE: The Second drive cage installation replaces 2 internal optical bays. It is required to purchase a SAS RAID controller or SAS Expander Card to support over 8 HDD	
	HP ML350/ML/DL370G6 2 Large Form Factor Drive Kit	487936-B21
	NOTE: The Second drive cage installation replaces 2 internal optical bays.	
<hr/>		
HP Graphics Options	HP 350/370G6 Graphic Card Cable Kit	537721-B21
<hr/>		
HP Security - TPM	HP Trusted Platform Module Option	488069-B21
<hr/>		
HP Storage Controllers	SAS Controllers	
	HP Smart Array P800 Controller	
	HP Smart Array P800 Controller	381513-B21
	NOTE: Supports internal or external drive attach.	
	NOTE: Please see the following QuickSpecs additional information: http://h18000.www1.hp.com/products/quickspecs/12616_div/12616_div.html	

Additional Options

HP Smart Array P212 Controller

HP Smart Array P212/Zero Memory Controller 462828-B21

HP Smart Array P212/256 Controller 462834-B21

NOTE: Please see the following QuickSpecs additional information:

http://h18000.www1.hp.com/products/quickspecs/13203_div/13203_div.html

HP Smart Array P410 Controller

HP Smart Array P410/256 Controller 462862-B21

HP Smart Array P410/512 MB BBWC Controller 462864-B21

HP P410 with 512MB Flash Backed Cache Controller 578230-B21

HP P410 with 1GB Flash Backed Cache Controller 572532-B21

NOTE: Please see the following QuickSpecs additional information:

http://h18000.www1.hp.com/products/quickspecs/13201_div/13201_div.html
(Smart Array P410 Controller)

HP Smart Array P411 Controller

HP Smart Array P411/256 Controller 462830-B21

HP Smart Array P411/512 BBWC Controller 462832-B21

HP P411 with 512MB Flash Backed Cache Controller 578229-B21

HP P411 with 1GB Flash Backed Cache Controller 572531-B21

NOTE: Please see the following QuickSpecs additional information:

http://h18000.www1.hp.com/products/quickspecs/13202_div/13202_div.html

Smart Array P812 Controller

HP Smart Array P812/1GB Flash 8-ports Int/16-ports Ext PCIe x8 SAS Controller 487204-B21

NOTE: Please see the following QuickSpecs additional information:

http://h18000.www1.hp.com/products/quickspecs/13558_div/13558_div.html

Optional Upgrades

HP 256MB P-series Cache Upgrade 462968-B21

NOTE: Supported on HP Smart Array P212 & HP Smart Array P410/ZM Controller only.

HP 512MB P-Series Battery Backed Write Cache Upgrade 462967-B21

NOTE: Supported on HP Smart Array P410 Controller, and HP Smart Array P411 Controller only.

HP 650 mAh P-Series Battery 462969-B21

NOTE: Supported on HP Smart Array P212 Controller, HP Smart Array P410 Controller, and HP Smart Array P411 Controller only.

HP 15 Position 24in SFP Battery Cable Assembly 496029-B21

NOTE: Supported on HP Smart Array P212 Controller, HP Smart Array P410 Controller, and HP Smart Array P411 Controller only.

HP 512MB Flash Backed Write Cache 534916-B21

NOTE: Supported on the Smart Array P410i Controller only.

HP 1GB Flash Backed Cache 534562-B21

NOTE: Supported on the Smart Array P410i Controller only.

HP 8484 to Mini SAS 33in Cable Assembly 591734-B21

NOTE: Needed to support internal drives on the ProLiant ML350 G6 when using the Smart Array P800 Controller.

Additional Options

HP Smart Array Advanced Pack including 1yr 24x7 Technical Support and Updates
Single Server License 516471-B21

NOTE: This part number can be used to purchase a single license or to order multiple licenses with a single activation key. Customers will receive a license entitlement certificate via e-mail. The license entitlement certificate must be redeemed online or via fax in order to obtain the license activation key(s). Include one year of 24x7 HP Software Technical Support Services.

NOTE: Please see the QuickSpecs for Technical Specifications and additional information:

http://h18000.www1.hp.com/products/quickspecs/13200_div/13200_div.html
(Smart Array Advanced Pack)

SAS HBA

HP SC08Ge Host Bus Adapter 488765-B21

NOTE: Please see the HBA QuickSpecs for additional information:

http://h18004.www1.hp.com/products/quickspecs/13082_div/13082_div.html

SCSI HBA

HP Single Channel Ultra320 PCI-E SC11Xe Host Bus Adapter 412911-B21

NOTE: Supports external drive attach.

NOTE: Please see the following QuickSpecs for additional information:

http://h18000.www1.hp.com/products/quickspecs/12566_div/12566_div.html

HP Tape Backup

NOTE: For the complete listing of Tape Drive offerings, please see:

<http://www.hp.com/products1/storage/compatibility/tapebackup/ISS/index.html>

Tape Drives

HP StorageWorks 1/8 G2 Tape Autoloader

HP StorageWorks 1/8 G2 LTO-4 Ultrium 1760 SAS Tape Autoloader AK377A

NOTE: Please reference the Tape Autoloader QuickSpecs at:

<http://www.hp.com/go/automation> for additional information needed to create a complete solution.

HP StorageWorks MSL2024 Tape Library

HP StorageWorks MSL2024 1 LTO-4 Ultrium 1760 SAS Tape Library AK378A

NOTE: Please reference the MSL Tape Library QuickSpecs at:

<http://www.hp.com/go/automation> for additional information needed to create a complete solution; reference current compatibility information at:
<http://www.hp.com/go/ebs>.

HP StorageWorks MSL4048 Tape Library

HP StorageWorks MSL4048 2 LTO-4 Ultrium 1760 SAS Tape Library AK380A

NOTE: Please reference the MSL Tape Library QuickSpecs at:

<http://www.hp.com/go/automation> for additional information needed to create a complete solution; reference current compatibility information at:
<http://www.hp.com/go/ebs>.

Additional Options

HP Disk-Based Backup	D2D Backup	
	HP StorageWorks D2D4004i Backup System	EH938A
	NOTE: 4.5TB of Disk Storage.	
	NOTE: Please see the HP D2D Backup Systems QuickSpecs for additional information: http://www.hp.com/go/d2d .	

HP StorageWorks Options

NOTE: The following is a list of all Fibre Channel Host Bus Adapters for Windows and Linux. For detailed compatibility information please see:

<http://h18006.www1.hp.com/storage/saninfrastructure/hba.html>

StorageWorks Fibre Channel HBA

Brocade Fibre Channel HBAs

HP StorageWorks 81B PCIe 8Gb Fibre Channel Single Port Host Bus Adapter	AP769A
HP StorageWorks 82B PCIe 8Gb Fibre Channel Dual Port Host Bus Adapter	AP770A
HP StorageWorks 41B PCIe 4Gb Fibre Channel Single Port Host Bus Adapter	AP767A
HP StorageWorks 42B PCIe 4Gb Fibre Channel Dual Port Host Bus Adapter	AP768A

Emulex Fibre Channel HBAs

HP StorageWorks 81E 8Gb Single Port PCI-e Fibre Channel Host Bus Adapter	AJ762A
HP StorageWorks 82E 8Gb Dual Port PCI-e Fibre Channel Host Bus Adapter	AJ763A
HP StorageWorks FC2142SR 4Gb PCIe Host Bus Adapter	A8002A
HP StorageWorks FC2242SR 4Gb PCIe DC Host Bus Adapter	A8003A

QLogic Fibre Channel HBAs

HP StorageWorks 81Q PCI-e Fibre Channel Host Bus Adapter	AK344A
HP StorageWorks 82Q 8Gb Dual Port PCI-e Fibre Channel Host Bus Adapter	AJ764A
HP StorageWorks FC1142SR 4Gb PCIe Host Bus Adapter	AE311A
HP StorageWorks FC1242SR 4Gb PCIe DC Host Bus Adapter	AE312A

StorageWorks Converged Network Adapter

HP StorageWorks CN1000E Dual Port Converged Network Adapter	AW520A
---	--------

HP Modular Smart Array

MSA SAN Storage Arrays

HP StorageWorks MSA60 Array	418408-B21
-----------------------------	------------

NOTE: Please see the QuickSpecs for additional information including configuration steps and additional options needed for a complete solution at:

http://h18000.www1.hp.com/products/quickspecs/12627_div/12627_div.html
(Worldwide)

HP StorageWorks MSA70 Array	418800-B21
-----------------------------	------------

NOTE: Please see the QuickSpecs for additional information including configuration steps and additional options needed for a complete solution at:

http://h18000.www1.hp.com/products/quickspecs/12652_div/12652_div.html
(Worldwide)

HP StorageWorks 2012sa Dual Controller Modular Smart Array	AJ753A
HP StorageWorks 2012sa Single Controller Modular Smart Array	AJ752A

Additional Options

NOTE: Please see the QuickSpecs for additional options and configuration information at:

http://h18000.www1.hp.com/products/quickspecs/13045_div/13045_div.html
(Worldwide)

HP StorageWorks D2000 Disk Enclosures

HP StorageWorks D2700 Disk Enclosure AJ941A

NOTE: Please see the QuickSpecs for additional options and configuration information at:

http://h18000.www1.hp.com/products/quickspecs/13404_div/13404_div.html
(Worldwide)

HP Uninterruptible Power Systems

HP Tower UPS

HP T1500 G3 UPS Models

HP T1500 G3 International (INTL) Uninterruptible Power System AF451A

HP T1500 G3 North America (NA) Uninterruptible Power System AF450A

NOTE: Please see the QuickSpecs for additional information:

http://h18000.www1.hp.com/products/quickspecs/13160_div/13160_div.html
(Worldwide)

HP Rack-mountable UPS

HP R1500 G2 UPS

HP R1.5 VA 1U NA Uninterruptible Power System AF419A

HP R1.5 VA 1U INT Uninterruptible Power System AF418A

HP R1.5 VA 1U JP/TW Uninterruptible Power System AF421A

NOTE: Please see the QuickSpecs for additional information:

http://h18000.www1.hp.com/products/quickspecs/12507_div/12507_div.html
(Worldwide)

NOTE: For additional information on HP Uninterruptible Power Systems please go to:
www.hp.com/servers/rackups.

HP Rack Series

Rack 10000 G2 series

HP 10642 G2 Pallet Universal Rack AF001A

HP 10642 G2 Shock Universal Rack AF002A

NOTE: It is mandatory to use a shock pallet when shipping racks with equipment installed.

NOTE: xxxxx-B22 (shock pallet) used to ship racks with equipment installed (by custom systems, VARs and Channels).

NOTE: Please see the Rack 10000 G2 QuickSpecs for Technical Specifications such as height, width, depth, weight, and color:

http://h18000.www1.hp.com/products/quickspecs/12402_div/12402_div.html
(Worldwide)

NOTE: For additional information regarding Rack Cabinets, please see the following URL: <http://www.hp.com/go/rackandpower>.

Additional Options

HP Rack Options

Keyboards and Monitors

HP TFT7600 Rackmount Keyboard 17in US Monitor AG052A

HP 1U IT Rackmount Keyboard with USB AG076A

HP 1U US Rackmount Keyboard with USB AG072A

NOTE: For additional information regarding Rack Options, please see the following URL: <http://www.hp.com/go/rackandpower>.

Console switches (KVM)

HP 0x2x16 KVM Server Console Switch G2 with Virtual Media CAC Software AF618A

HP 0x2x32 KVM Server Console Switch G2 with Virtual Media CAC Software AF619A

HP 1x1Ex8 KVM IP Console Switch G2 with Virtual Media CAC Software AF620A

HP 2x1Ex16 KVM IP Console Switch G2 with Virtual Media CAC Software AF621A

HP 4x1Ex32 KVM IP Console Switch G2 with Virtual Media CAC Software AF622A

NOTE: For additional information regarding KVM switches, Serial Console servers, rack mount monitors, keyboards and all related options please see the following URL: <http://www.hp.com/go/kvm>.

NOTE: Cat5e cables are required to connect Serial Adapters to Serial Console Servers. Additional Serial Adapters and Cat5e cables can be found at the following URL: <http://www.hp.com/go/kvm>.

NOTE: For additional information regarding KVM switches, Serial Console servers, rack mount monitors, keyboards and all related options please see the following URL: <http://www.hp.com/go/kvm>.

HP USB and SD Options

HP 4GB Secure Digital Flash Media Kit 580387-B21

NOTE: Blank SD media device is supported for use with VMware and Citrix. SD media must be installed in the internal slot of the ProLiant server. Learn more at <http://www.hp.com/go/proliantvirtualization>.

HP USB 2-Button Optical Scroll Mouse DC172B

NOTE: Blank SD media device is supported for use with VMware and Citrix. SD media must be installed in the internal slot of the ProLiant server. Learn more at <http://www.hp.com/go/proliantvirtualization>.

HP USB Standard Keyboard US DT528A#ABA

NOTE: Blank SD media device is supported for use with VMware and Citrix. SD media must be installed in the internal slot of the ProLiant server. Learn more at <http://www.hp.com/go/proliantvirtualization>.

Additional Options

HP Care Pack Services	Hardware Services On-site Service	
	HP 3 year 4 hour 13x5 ProLiant ML350 Hardware Support	U4512E
	HP 3 year 4 hour 24x7 ProLiant ML350 Hardware Support	U4513E
	HP 3 year 6 hour 24x7 Call to Repair ProLiant ML350 Hardware Support	U4514E
	Installation & Start-up Services	
	HP Install ProLiant ML350 Service	U4522E
	HP Startup ProLiant ML350 Service	U4523E
	Support Plus	
	HP 3 year Support Plus Microsoft ProLiant ML350 Service	U4524E
	Support Plus 24	
	HP 3 year Support Plus 24 Microsoft ProLiant ML350 Service	U4525E
	HP 3 year Support Plus 24 SuSE ProLiant ML350 Service	U6308E

Memory

NOTE: Memory configurations listed do not apply to "Factory Integrated Models".

DDR3 memory population guidelines

For detailed memory configuration rules and guidelines, please use the Online DDR3 Memory Configuration Tool:

www.hp.com/go/ddr3memory-configurator

Some DIMM installation guidelines are summarized below:

- For servers with eighteen (18) memory slots:
 - There are three (3) channels per processor; six (6) channels per server
 - There are three (3) DIMM slots for each memory channel; eighteen (18) total slots
 - Memory channel 1 consists of the three (3) DIMMs that are closest to the processor
 - Memory channel 3 consists of the three (3) DIMMs that are furthest from the processor
- DIMM slots that are white should be populated first
- Do not mix Unbuffered memory (UDIMMs) with Registered memory (RDIMMs)
- Do not install DIMMs if the corresponding processor is not installed
- If only one processor is installed in a 2CPU system, only half of the DIMM slots are available
- To maximize performance, balance the total memory capacity between all installed processors
- It is not required, but it is recommended to load the channels similarly if possible
- You can only have up to eight (8) ranks installed per channel
- You can only install two quad-rank DIMMs per channel
- You can only install two UDIMMs per channel; if available, the third slot in the channel must remain empty
- Populate DIMMs from heaviest load (quad-rank) to lightest load (single-rank) within a channel
- Heaviest load (DIMM with most ranks) within a channel goes furthest from the chipset
- For memory mirroring mode, channel 3 must be unpopulated. Channels 1 and 2 are populated identically
- For lock-step mode, channel 3 must be unpopulated. DIMMs in channels 1 and 2 will be installed in pairs. The paired slots will be 1,4; 2,5; 3,6 on a 3DPC system or 1,4; 2,5; on a 2DPC system
- No mixing DIMM voltage; all DIMMs must be the same voltage

DIMM slot/capacity/populated speed table								
DIMM Type ->	Registered Dimms (RDIMMs)						Unbuffered with ECC DIMMs (UDIMMs)	
DIMM Rank ->	Dual Rank (2R)			Quad Rank (4R)			Single Rank (1R)	Dual Rank (2R)
DIMM Capacity ->	2GB	4GB	8GB	8GB	4GB	16GB	1GB	2GB
DIMM Native Speed (MHz) ->	1333	1333	1066	1333	1066	1066	1333	1333
SLOTS THAT CAN BE POPULATED								
18 slot servers	18	18	18	18	12	12	12	12
MAXIMUM CAPACITY (GB)								
18 slot servers	36	72	144	144	48	192	12	24
POPULATED DIMM SPEED (MHz)								
1 DIMM Per Channel	1333	1333	1066	1333	1066	1066	1333	1333
2 DIMM Per Channel	1333*	1333*	1066	1333*	800	800	1066	1066
3 DIMM Per Channel	800	800	800	800	n/a	n/a	n/a	n/a

* - supported with ROM update via ROM Based Setup Utility (RBSU). UDIMM support is only on 12-slot servers.

NOTES:



Memory

- Mixing DIMM speeds is allowed, but the system processor speed rules always override the DIMM capabilities
- If you do mix DIMM speeds, the memory bus will default to the minimum clock rate of all DIMMs in the system - even if the slower DIMM is on the other processor
- If you install 1x 1066MHz DIMM in channel 1 and 1x 1333MHz DIMM in channel 2, you still run at 1066MHz
- If you install 1x 1066MHz DIMM in channel 1 and 5x 1333MHz DIMMs with 1 DIMM Per Channel (DPC) in each of the other channels, you run at 1066MHz
- If you install 3DPC in one channel (if applicable) and 1DPC in all other channels, you run at 800MHz
- 95 Watt CPU's are required for 1333MHz DIMM speeds. All other CPU's are capable of up to 1066MHz
- References to the above MHz speeds are for the various speeds of DDR3 DIMMs; 1333 refers to DDR3-1333, etc.

DIMM slot and configuration diagrams

Basic memory slot & population diagram

- Population order; start with "A" first, "B" second, "C" third, etc.

18 DIMM SLOTS (9 per CPU node)					
	CPU1		CPU2		
	slot #	population order	slot #	population order	
Chnl 1	1	G	1	G	Chnl 1
	2	D	2	D	
	3	A	3	A	
Chnl 2	4	H	4	H	Chnl 2
	5	E	5	E	
	6	B	6	B	
Chnl 3	7	I	7	I	Chnl 3
	8	F	8	F	
	9	C	9	C	

Standard memory configuration (1 CPU model)

- 6GB, consisting of three (3) 2GB dual-rank PC3-10600 RDIMMs (Base Model)

	CPU1		CPU2		
	slot #	population order	slot #	population order	
Chnl 1	1	G; empty	1	G; empty	Chnl 1
	2	D; empty	2	D; empty	
	3	A; 2GB DIMM	3	A; empty	
Chnl 2	4	H; empty	4	H; empty	Chnl 2
	5	E; empty	5	E; empty	
	6	B; 2GB DIMM	6	B; empty	
Chnl 3	7	I; empty	7	I; empty	Chnl 3
	8	F; empty	8	F; empty	
	9	C; 2GB DIMM	9	C; empty	

Memory

Standard memory plus optional memory (1 CPU model)

- 54GB, consisting of three (3) 2GB RDIMMs plus six (6) 8GB RDIMMs (Base Model)
 - 3x 2GB dual-rank PC3-10600 RDIMMs
 - 6x 8GB dual-rank PC3-8500 RDIMMs

	CPU1		CPU2		
	slot #	population order	slot #	population order	
Chnl 1	1	G; 8GB DIMM	1	G; empty	Chnl 1
	2	D; 8GB DIMM	2	D; empty	
	3	A; 2GB DIMM	3	A; empty	
Chnl 2	4	H; 8GB DIMM	4	H; empty	Chnl 2
	5	E; 8GB DIMM	5	E; empty	
	6	B; 2GB DIMM	6	B; empty	
Chnl 3	7	I; 8GB DIMM	7	I; empty	Chnl 3
	8	F; 8GB DIMM	8	F; empty	
	9	C; 2GB DIMM	9	C; empty	

Standard memory replaced with optional memory (1 CPU model)

RDIMM maximum configuration (1 CPU model)

- 96GB, consisting of six (6) 16GB quad-rank PC3-8500 RDIMMs

	CPU1		CPU2		
	slot #	population order	slot #	population order	
Chnl 1	1	G; empty	1	G; empty	Chnl 1
	2	D; 16GB DIMM	2	D; empty	
	3	A; 16GB DIMM	3	A; empty	
Chnl 2	4	H; empty	4	H; empty	Chnl 2
	5	E; 16GB DIMM	5	E; empty	
	6	B; 16GB DIMM	6	B; empty	
Chnl 3	7	I; empty	7	I; empty	Chnl 3
	8	F; 16GB DIMM	8	F; empty	
	9	C; 16GB DIMM	9	C; empty	

UDIMM maximum configuration (1 CPU model)

- 12GB, consisting of six (6) 2GB dual-rank PC3-10600 UDIMMs

Memory

	CPU1		CPU2		
	slot #	population order	slot #	population order	
Chnl 1	1	G; empty	1	G; empty	Chnl 1
	2	D; 2GB DIMM	2	D; empty	
	3	A; 2GB DIMM	3	A; empty	
Chnl 2	4	H; empty	4	H; empty	Chnl 2
	5	E; 2GB DIMM	5	E; empty	
	6	B; 2GB DIMM	6	B; empty	
Chnl 3	7	I; empty	7	I; empty	Chnl 3
	8	F; 2GB DIMM	8	F; empty	
	9	C; 2GB DIMM	9	C; empty	

Standard memory replaced with optional memory (2 CPU model) RDIMM maximum configuration (2 CPU model)

- 192GB, consisting of twelve (12) 16GB quad-rank PC3-8500 RDIMMs

	CPU1		CPU2		
	slot #	population order	slot #	population order	
Chnl 1	1	G; empty	1	G; empty	Chnl 1
	2	D; 16GB DIMM	2	D; 16GB DIMM	
	3	A; 16GB DIMM	3	A; 16GB DIMM	
Chnl 2	4	H; empty	4	H; empty	Chnl 2
	5	E; 16GB DIMM	5	E; 16GB DIMM	
	6	B; 16GB DIMM	6	B; 16GB DIMM	
Chnl 3	7	I; empty	7	I; empty	Chnl 3
	8	F; 16GB DIMM	8	F; 16GB DIMM	
	9	C; 16GB DIMM	9	C; 16GB DIMM	

UDIMM maximum configuration (2 CPU model)

- 24GB, consisting of twelve (12) 2GB dual-rank PC3-10600 UDIMMs

Memory

	CPU1		CPU2		
	slot #	population order	slot #	population order	
Chnl 1	1	G; empty	1	G; empty	Chnl 1
	2	D; 2GB DIMM	2	D; 2GB DIMM	
	3	A; 2GB DIMM	3	A; 2GB DIMM	
Chnl 2	4	H; empty	4	H; empty	Chnl 2
	5	E; 2GB DIMM	5	E; 2GB DIMM	
	6	B; 2GB DIMM	6	B; 2GB DIMM	
Chnl 3	7	I; empty	7	I; empty	Chnl 3
	8	F; 2GB DIMM	8	F; 2GB DIMM	
	9	C; 2GB DIMM	9	C; 2GB DIMM	

NOTE: Capacity references are rounded to the common Gigabyte values.

- 1GB = 1024MB
- 2GB = 2048MB
- 4GB = 4096MB
- 8GB = 8192MB
- 16GB = 16384MB

Following are memory options available from HP:

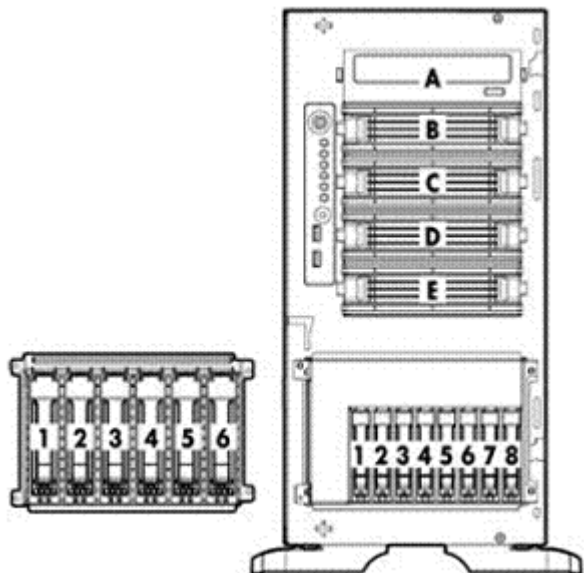
Memory	Registered DIMMs (RDIMMs)	
	HP 2GB 2Rx8 PC3-10600R-9 Kit	500656-B21
	HP 4GB 2Rx4 PC3-10600R-9 Kit	500658-B21
	HP 4GB 4Rx8 PC3-8500R-7 LP Kit	500660-B21
	HP 8GB 2Rx4 PC3-8500R-7 Kit	516423-B21
	HP 8GB 2Rx4 PC3-10600R-9 Kit	500662-B21
	HP 16GB 4Rx4 PC3-8500R-7 Kit	500666-B21
	Unbuffered with ECC DIMMs (UDIMMs)	
	HP 1GB 1Rx8 PC3-10600E-9 Kit	500668-B21
	HP 2GB 2Rx8 PC3-10600E-9 Kit	500670-B21

NOTE: All DDR3 memory option kits consist of one DIMM per kit. For detailed memory configuration rules and guidelines, please use the Online DDR3 Memory Configuration Tool: www.hp.com/go/ddr3memory-configurator.

NOTE: Kits described as LP include Low Power DIMMs. For more information on ProLiant Energy Efficient Features, see:

<http://h18004.www1.hp.com/products/servers/platforms/energyefficient/>

Storage



1 - 6 6 x 3.5" (LFF) Hot-Plug SAS/SATA hard drive bays

Or

1 - 8 8 x 2.5" (SFF) Hot-Plug SAS/SATA hard drive bays

B,C,D,E Available half height media bays

A-E Removable Optical Drive

D+E 8 x 2.5" (SFF) Hot-Plug SAS/SATA hard drive bays
or
2 x 3.5" (LFF) Hot-Plug SAS/SATA hard drive bays

Drive Support

	Quantity Supported	Position Supported	Controller
Removable Media			
HP Half-Height SATA DVD-ROM Optical Drive	Up to 1	A-E	Integrated SATA Controller
HP Half-Height SATA DVD RW Optical Drive	Up to 1	A-E	Integrated SATA Controller

Hard Drives

NOTE: The components of a storage subsystem (e.g. the drive, the HBA/controller, firmware, and the server backplane) should operate at the same data transfer rate or the system bandwidth will be negotiated down to an acceptable level for all components.

NOTE: Hard drives have either a one year or three year warranty; refer to the specific hard drive QuickSpecs for details.

SAS Hot Plug SFF (2.5-inch) Enterprise (ENT) Drives

	Quantity Supported	Position Supported	Controller
300GB 6G SAS 10K DP	Up to 16	1-8 and D+E	HP Smart Array P800/512 BBWC Controller
300GB 3G SAS 10K DP			HP Smart Array P212/Zero Memory Controller
146GB 6G SAS 15K DP			HP Smart Array P212/256MB Controller
146GB 3G SAS 15K DP			HP Smart Array P410/256MB Controller
146GB 6G SAS 10K DP			HP Smart Array P410/512MB BBWC Controller
146GB 3G SAS 10K DP			
72GB 6G SAS 15K DP			
72GB 3G SAS 15K DP			

SAS Hot Plug LFF (3.5-inch) Enterprise (ENT) Drives

Storage

	Quantity Supported	Position Supported	Controller
600GB 6G SAS 15K DP	Up to 8	1-6 and D+E	HP Smart Array P800/512 BBWC Controller
450GB 6G SAS 15K DP			HP Smart Array P212/Zero Memory Controller
450GB 3G SAS 15K DP			HP Smart Array P212/256 MB Controller
300GB 6G SAS 15K DP			HP Smart Array P410/256 MB Controller
300GB 3G SAS 15K DP			HP Smart Array P410/512 MB BBWC Controller
146GB 3G SAS 15K DP			

SAS Hot Plug LFF (3.5-inch) Midline (MDL) Drives

	Quantity Supported	Position Supported	Controller
1TB 3G SAS 7.2K DP	Up to 6	1-6 and D+E	HP Smart Array P800/512 BBWC Controller
750GB 3G SAS 7.2K DP			HP Smart Array P212/Zero Memory Controller
			HP Smart Array P212/256 MB Controller
			HP Smart Array P410/256 MB Controller
			HP Smart Array P410/512 MB BBWC Controller

SATA Hot Plug SFF (2.5-inch) Midline (MDL) Drives

	Quantity Supported	Position Supported	Controller
500GB 3G SATA 7.2K	Up to 16	1-8 and D+E	HP Smart Array P800/512 BBWC Controller
			HP Smart Array P212/Zero Memory Controller
			HP Smart Array P212/256 MB Controller
			HP Smart Array P410/256 MB Controller
			HP Smart Array P410/512 MB BBWC Controller

SATA Hot Plug SFF (2.5-inch) Entry (ETY) Drives

	Quantity Supported	Position Supported	Controller
250GB 3G SATA 5.4K	Up to 16	1-8 and D+E	HP Smart Array P800/512 BBWC Controller
120GB 1.5G SATA 5.4K			HP Smart Array P212/Zero Memory Controller
			HP Smart Array P212/256 MB Controller
			HP Smart Array P410/256 MB Controller
			HP Smart Array P410/512 MB BBWC Controller

NOTE: HP Systems Insight Manager should not be used to view the status of SATA hard drives and SATA RAID configurations.

SATA Hot Plug LFF (3.5-inch) Entry (ETY) Drives

	Quantity Supported	Position Supported	Controller
160GB 3G SATA 7.2K	Up to 8	1-6 and D+E	HP Smart Array P800/512 BBWC Controller
			HP Smart Array P212/Zero Memory Controller
			HP Smart Array P212/256 MB Controller
			HP Smart Array P410/256 MB Controller
			HP Smart Array P410/512 MB BBWC Controller

Storage

SATA Hot Plug SFF Midline (MDL) Drives

	Quantity Supported	Position Supported	Controller
500GB 3G SATA 7.2K	Up to 16	1-8 and D+E	HP Smart Array P800/512 BBWC Controller
160GB 3G SATA 7.2K			HP Smart Array P212/Zero Memory Controller HP Smart Array P212/256 MB Controller HP Smart Array P410/256 MB Controller HP Smart Array P410/512 MB BBWC Controller

SATA Hot Plug 3.5" Midline (MDL) Drives

	Quantity Supported	Position Supported	Controller
1TB 3G SATA 7.2K	Up to 8	1-6 and D+E	HP Smart Array P800/512 BBWC Controller
750GB 3G SATA 7.2K			HP Smart Array P212/Zero Memory Controller
500GB 3G SATA 7.2K			HP Smart Array P212/256 MB Controller
250GB 3G SATA 7.2K			HP Smart Array P410/256 MB Controller HP Smart Array P410/512 MB BBWC Controller

SATA Hot Plug Midline (MDL) Solid State Drives

	Quantity Supported	Position Supported	Controller
60GB 3.0G SATA SSD	Up to 16	1-8 and D+E	HP Smart Array P212/Zero Memory Controller
120GB 3.0G SATA SSD			HP Smart Array P212/256 MB Controller HP Smart Array P410/256 MB Controller HP Smart Array P410/512 MB BBWC Controller

SATA Hot Plug 3.5" Midline (MDL) Solid State Drives

	Quantity Supported	Position Supported	Controller
60GB 3.0G SATA SSD	Up to 8	1-6 and D+E	HP Smart Array P212/Zero Memory Controller
120GB 3.0G SATA SSD			HP Smart Array P212/256 MB Controller HP Smart Array P410/256 MB Controller HP Smart Array P410/512 MB BBWC Controller

Storage

External Storage

	Quantity Supported	Position Supported	Host Controller or Adapter
50 Modular Smart Array	Up to 4	External	HP Smart Array P800 Controller
60 Modular Smart Array	Up to 4	External	HP Smart Array P212/Zero Memory Controller HP Smart Array P212/256 MB Controller
	Up to 8	External	HP Smart Array P411/256 MB Controller HP Smart Array P411/512 MB BBWC Controller HP Smart Array P800 Controller
70 Modular Smart Array	Up to 2	External	HP Smart Array P212/Zero Memory Controller HP Smart Array P212/256 MB Controller
	Up to 4	External	HP Smart Array P411/256 MB Controller HP Smart Array P411/512 MB BBWC Controller HP Smart Array P800 Controller
HP 2000sa Modular Smart Array Controller	Up to 4	External	HP SC08Ge Host Bus Adapter

Tape and Disk-Based Backup

NOTE: For a complete listing of compatible tape and disk-based backup offerings, please visit: www.hp.com/go/connect.

	Position Supported	Controller	Controller/HBA Option Kit Part Number
Internal USB Tape Drives DAT 40 USB DAT 72 USB DAT 160 USB	B,C,D,E	USB 2.0 Port	N/A
USB Tape Drives, External DAT 40 USB DAT 72 USB DAT 160 USB 1U Rack-Mount Kit	External	USB 2.0 Port	N/A
SCSI Tape Drives, Internal LTO-1 Ultrium 232 LTO-2 Ultrium 448 LTO-3 Ultrium 920 LTO-4 Ultrium 1760 DAT 40 DAT 72 DAT 160	B,C,D,E	HP SC11Xe Host Bus Adapter	412911-B21
SCSI Tape Drives, Internal LTO-3 Ultrium 960 LTO-4 Ultrium 1840	B+C or D+E	HP SC11Xe Host Bus Adapter	412911-B21

Storage

SCSI Tape Drives, External LTO-1 Ultrium 232 LTO-2 Ultrium 448 LTO-3 Ultrium 960 LTO-3 Ultrium 920 LTO-4 Ultrium 1760 LTO-4 Ultrium 1840 DAT 40 DAT 72 DAT 160 1U Rack-Mount Kit 3U Rack-Mount Kit	External	HP SC11Xe Host Bus Adapter	412911-B21
SAS Tape Drives, Internal DAT 160 SAS LTO-2 Ultrium 448 SAS LTO-3 Ultrium 920 SAS LTO-4 Ultrium 1760 SAS	B,C,D,E	HP Smart Array P212/Zero Memory Controller	462828-B21
SAS Tape Drives, Internal LTO-4 Ultrium 1840 SAS	B+C or D+E	HP Smart Array P212/Zero Memory Controller	462828-B21
SAS Tape Drives, External DAT 160 SAS LTO-2 Ultrium 448 SAS LTO-3 Ultrium 920 SAS LTO-4 Ultrium 1760 SAS LTO-4 Ultrium 1840 SAS 1U Rack-Mount Kit 3U Rack-Mount Kit	External	HP Smart Array P212/Zero Memory Controller	462828-B21
SCSI Tape Automation, External DAT 72x10 Autoloader 1/8 G2 Autoloader MSL2024 MSL4048 MSL8096 MSL6000	External	HP SC11Xe Host Bus Adapter	412911-B21
SAS Tape Automation, External 1/8 G2 Autoloader MSL2024 MSL4048	External	HP Smart Array P212/Zero Memory Controller	462828-B21
HP StorageWorks Fibre Tape Automation,	External	Please consult the EBS connectivity matrix at: http://www.hp.com/go/ebs for detailed connectivity information	N/A

Storage

External

MSL2024

MSL4048

MSL8096

MSL6000

HP StorageWorks RDX Removable Disk Backup System, Internal RDX160 RDX320 RDX500	B,C,D,E	USB 2.0 Port	N/A
---	---------	--------------	-----

HP StorageWorks D2D Backup Systems D2D120 D2D130 D2D2500i D2D4000i	External	Embedded Network Controller	N/A
---	----------	-----------------------------	-----

Power Specifications

HP 460W Power Supply							
Part Number - AC 460W PSU	503296-B21						
Input Voltage Range (Vrms)	100 to 240						
Frequency Range (Nominal) (Hz)	50/60						
Nominal Input Voltage (Vrms)	100	120	200	208	220	230	240
Maximum Rated Output Wattage	460	460	460	460	460	460	460
Nominal Input Current (A rms)	5.5	4.5	2.6	2.5	2.4	2.3	2.2
Max Rated Input Wattage Rating (Watts)	526	520	505	505	503	503	503
Max. Rated VA (Volt-Amp)	548	542	527	527	524	524	524
Efficiency (%) at Max. Rated Output Wattage	87.5	88.5	91	91	91.5	91.5	91.5
Power Factor	0.97	0.97	0.97	0.97	0.97	0.97	0.97
Leakage Current (mA)	0.42	0.50	0.83	0.87	0.92	0.96	1.00
Max. Inrush Current (A peak)	30	30	30	30	30	30	30
Max. Inrush Current duration (mS)	20	20	20	20	20	20	20
Maximum British Thermal Unit Rating (BTU-Hr)	1794	1773	1725	1725	1715	1715	1715

HP 750W Power Supply							
Part Number - AC 750W PSU	512327-B21						
Input Voltage Range (Vrms)	100 to 240						
Frequency Range (Nominal) (Hz)	50/60						
Nominal Input Voltage (Vrms)	100	120	200	208	220	230	240
Maximum Rated Output Wattage	750	750	750	750	750	750	750
Nominal Input Current (A rms)	8.9	7.4	4.3	4.1	3.9	3.7	3.6
Max Rated Input Wattage Rating (Watts)	857	847	824	825	820	820	820
Max. Rated VA (Volt-Amp)	894	884	859	859	854	854	854
Efficiency (%) at Max. Rated Output Wattage	87.5	88.5	91	91	91.5	91.5	91.5
Power Factor	0.97	0.97	0.97	0.97	0.97	0.97	0.97
Leakage Current (mA)	0.42	0.50	0.83	0.87	0.92	0.96	1.00
Max. Inrush Current (A peak)	30	30	30	30	30	30	30
Max. Inrush Current duration (mS)	20	20	20	20	20	20	20
Maximum British Thermal Unit Rating (BTU-Hr)	2925	2892	2812	2812	2797	2797	2797

Power Specifications

HP 1200W Power Supply Part Number - AC	500172-B21						
Operational Input Voltage Range (Vrms)	100 to 240						
Frequency Range (Nominal) (Hz)	50/60						
Nominal Input Voltage (Vrms)	100	120	200	208	220	230	240
Maximum Rated Output Wattage	800	900	1200	1200	1200	1200	1200
Nominal Input Current (A rms)	9.7	9.0	7.0	6.8	6.4	9.1	5.9
Max Rated Input Wattage Rating (Watts)	930	1034	1348	1348	1348	1348	1348
Max. Rated VA (Volt-Amp)	970	1079	1406	1406	1406	1406	1406
Efficiency (%) at Max. Rated Output Wattage	86	87	89	89	89	89	89
Power Factor	0.97	0.97	0.97	0.97	0.97	0.97	0.97
Leakage Current (mA)	0.42	0.50	0.83	0.87	0.92	0.96	1.00
Max. Inrush Current (A peak)	30	30	30	30	30	30	30
Max. Inrush Current duration (mS)	20	20	20	20	20	20	20
Maximum British Thermal Unit Rating (BTU-Hr)	3174	3530	4600	4600	4600	4600	4600

NOTES:

Prior to making a power supply selection it is "highly recommended" that the "HP Power Advisor" is run to determine the right size power supply for your server configuration.

The HP Power Advisor is located at "www.hp.com/go/proliant-energy-efficient"

NOTE: Option Kits contain optional power supply, an IEC power cable and PDU IEC cables.

Technical Specifications

System Unit	Tower Dimensions (H x W x D) (with feet/bezel)	18.5 x 8.59 x 23.46 in (47 x 21.8 x 59.6 cm)	
	Rack Dimensions (H x W x D) (with feet/bezel)	8.54 x 17.5 x 21.9 in. (21.7 x 44.5 x 55.7cm)	
	Tower Weight (approximate)	Maximum (all hard drives, power supplies, and processors installed)	70 lb (31.8 kg)
		Minimum (one hard drive, power supply, and processor installed)	54 lb (24.5 kg)
	Rack Weight (approximate)	Maximum (all hard drives, power supplies, and processors installed)	66 lb (29.9 kg)
		Minimum (one hard drive, power supply, and processor installed)	48 lb (21.8 kg)
	Input Requirements (per power supply)	Rated Line Voltage	100 to 240 VAC
		Rated Input Current	7.1 Amps (at 120VAC) to 3.5 Amps (at 240 VAC)
		Rated Input Frequency	50 to 60 Hz
		Rated Input Power	852 W
	BTU Rating	Maximum	460W - 1773 BTU / hr (at 120 VAC), 1715 (at 240 VAC) 750W - 2892 BTU / hr (at 120 VAC), 2797 (at 240 VAC) 1200W - 3530 BTU / hr (at 120 VAC), 4600 (at 240 VAC)
	Power Specifications	To review typical system power ratings use the Power Advisor which is available via the online tool located at URL: www.hp.com/go/proliant-energy-efficient or www.hp.com/go/hppoweradvisor	
	Power Supply Output (per power supply)	Rated Steady-State Power	460(750) W (at 100 VAC), 460(750) W (at 200 VAC)
		Maximum Peak Power	460(750) W (at 100 VAC), 460(750) W (at 200 VAC)
	System Inlet Temperature	Operating	10° to 35°C (50° to 95°F) at sea level with an

Technical Specifications

		altitude derating of 1.0°C per every 305 m (1.8°F per every 1000 ft) above sea level to a maximum of 3050 m (10,000 ft), no direct sustained sunlight. Maximum rate of change is 10°C/hr (18°F/hr). The upper limit may be limited by the type and number of options installed.
Relative Humidity (non-condensing)	Non-operating	-30° to 60°C (-22° to 140°F). Maximum rate of change is 20°C/hr (36°F/hr).
	Operating	10 to 90% relative humidity (Rh), 28°C (82.4°F) maximum wet bulb temperature, non-condensing.
	Non-operating	5 to 95% relative humidity (Rh), 38.7°C (101.7°F) maximum wet bulb temperature, non-condensing.
Altitude	Operating	3050 m (10,000 ft). This value may be limited by the type and number of options installed. Maximum allowable altitude change rate is 457 m/min (1500 ft/min).
	Non-operating	9144 m (30,000 ft). Maximum allowable altitude change rate is 457 m/min (1500 ft/min).
Acoustic Noise	Listed are the declared A-Weighted sound power levels (LWAd) and declared average bystander position A-Weighted sound pressure levels (LpAm) when the product is operating in a 23°C ambient environment. Noise emissions were measured in accordance with ISO 7779 (ECMA 74) and declared in accordance with ISO 9296 (ECMA 109).	
	Idle	
	L WAd	4.7 B (1P Non-Redundant) 4.6 B (2P Redundant)
	L pAm	30 dB (1P Non-Redundant) 29 dB (2P Redundant)
	Operating	
	L WAd	4.8 B (1P Non-Redundant) 4.7 B (2P Redundant)
L pAm	31 dB (1P Non-Redundant) 30 dB (2P Redundant)	
Emissions Classification (EMC)	FCC Rating	Class B
	Normative Standards	CISPR 22; EN55022; EN55024; FCC CFR 47, Pt 15; ICES-003; CNS13438; GB9254; K22;K24; EN 61000-3-2; EN 61000-3-3; EN 60950-1; IEC 60950-1

NOTE: The Listed sound levels apply to standard shipping configurations. Additional options may result in increased sound levels.

Technical Specifications

NOTE: Product conformance to cited product specifications is based on sample (type) testing, evaluation, or assessment. This product or family of products is eligible to bear the appropriate compliance logos and statements.

Smart Array P410i Controller	Dimensions (not including bracket)	Low Profile PCIe Form Factor 7.5 in x 9.5 in x 2.25 in (19.05 cm x 24.13 cm x 5.72 cm)
	Disk Drive and Enclosure Interface - transfer rate	6Gb/s SAS (Serial Attached SCSI) 3Gb/s SATA (Serial ATA)
	SAS Connectors	2 internal (Mini-SAS) x4 wide port connectors
	Cache Memory Speed	DDR2-800MHz with 40 or 72-bit wide bus provides up to 6.4 GB/s maximum bandwidth.
	Server Interface	X4 5.0G PCIe 2.0 provides 2.0 GB/s maximum bandwidth
	SAS Speed	x8 6G SAS provides 4.8GB/s maximum bandwidth
	Cache Memory	40-bit 256MB ECC protected cache (72-bit 512MB BBWC module upgrades available); transportable with battery-backed upgrade
	Logical Drives Supported	Up to 64 logical drives
	Maximum Logical Drive Capacity	Greater than 2TB
	Host Memory Addressing	64-bit, supporting greater than 4GB server memory space
	RAID Support	RAID 6, 6+0 (Advanced Data Guarding)
		NOTE: The minimum of 256 MB cache, battery kit, and Smart Array Advanced Pack License Key upgrade is required to enable RAID 6, 6+0
		RAID 5, 5+0 (Distributed Data Guarding)
		NOTE: The 256 MB is required to enable RAID 5, 5+0 support of the Smart Array P410i
	RAID 1+0 (Striping & Mirroring)	
	RAID 0 (Striping)	
Upgradeable Firmware	Upgradeable Firmware with Recovery ROM feature	

Technical Specifications

Embedded NC326i PCI Express Dual Port Gigabit Server Adapter	Network Interface	10Base-T/100Base-TX/1000Base-TX	
	Compatibility	IEEE 802.3 10Base-T IEEE 802.3ab 1000Base-T IEEE 802.3u 100Base-TX	
	Data Transfer Method	PCI Express, four lanes (x4)	
	Controller	BCM5715	
	Network Transfer Rate	10Base-T (Half-Duplex)	10 Mb/s
		10Base-T (Full-Duplex)	20 Mb/s
		100Base-TX (Half-Duplex)	100 Mb/s
		100Base-TX (Full-Duplex)	200 Mb/s
		1000Base-TX (Half and Full-Duplex)	2000Mb/s
	Connector	RJ-45	
	Cable Support	10Base-T	Categories 3, 4 or 5 UTP; up to 328 ft (100 m)
		10/100/1000Base-TX	Category 5 UTP; up to 328 ft (100 m)

Environment-friendly Products and Approach **End-of-life Management and Recycling** Hewlett-Packard offers end-of-life HP product return, trade-in, and recycling programs in many geographic areas. For trade-in information, please go to: <http://www.hp.com/go/green>. To recycle your product, please go to: <http://www.hp.com/go/green> or contact your nearest HP sales office. Products returned to HP will be recycled, recovered or disposed of in a responsible manner.

The EU WEEE directive (2002/95/EC) requires manufacturers to provide treatment information for each product type for use by treatment facilities. This information (product disassembly instructions) is posted on the Hewlett Packard web site at: <http://www.hp.com/go/green>. These instructions may be used by recyclers and other WEEE treatment facilities as well as HP OEM customers who integrate and re-sell HP equipment.

© Copyright 2010 Hewlett-Packard Development Company, L.P.

The information contained herein is subject to change without notice.

Microsoft and Windows NT are US registered trademarks of Microsoft Corporation. Intel is a US registered trademark of Intel Corporation.

The only warranties for HP products and services are set forth in the express warranty statements accompanying such products and services. Nothing herein should be construed as constituting an additional warranty. HP shall not be liable for technical or editorial errors or omissions contained herein.

For hard drives, 1 GB = 1 billion bytes. Actual formatted capacity is less.